

### A. Package Content

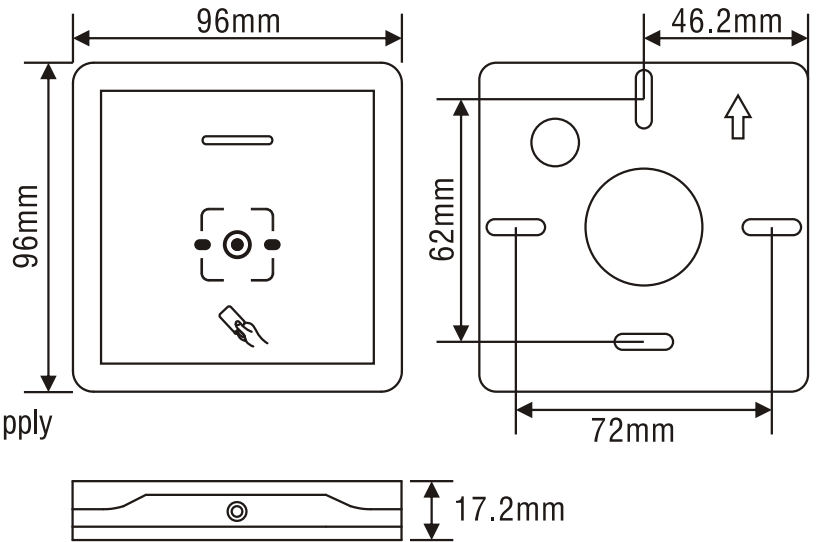
■ Reader, Installation manual

Accessory kit: Anchor Screw x 2, Anchor x 2, Screwdriver x 1, Screw x 2

### ■ Specification

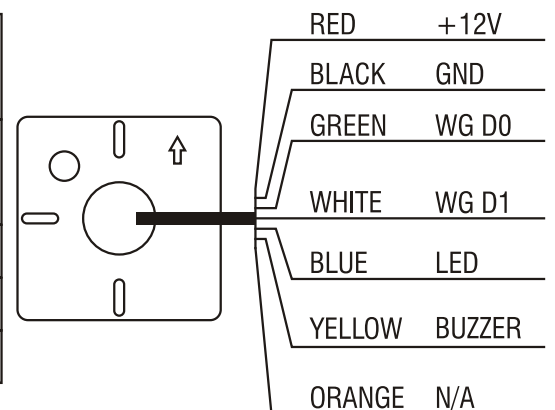
- Dimension: 96 x 96 x 17.2 mm
- Input voltage: DC 12 V
- Current: 150mA
- Wiegand range: up to 100M
- Communication: Wiegand
- Working Temperature: -20°C ~ 70°C

■ Suggestion: Shielded cable, linear DC power supply

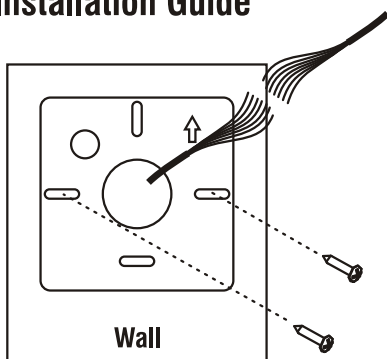


### B. Cable Instruction

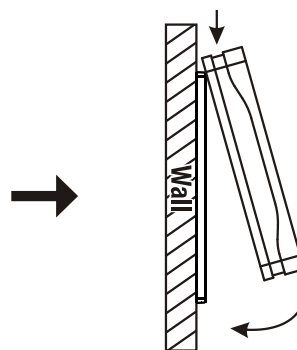
1	RED	+12V (Power Positive)	DC 12V
2	BLACK	GND (Power Negative)	
3	GREEN	DATA 0	Wiegand Cable
4	WHITE	DATA 1	
5	BLUE	LED	Green LED Control, Low Potential Action
6	YELLOW	BUZZER	Buzzer + Red LED Control, Low Potential Action
7	ORANGE	N/A	



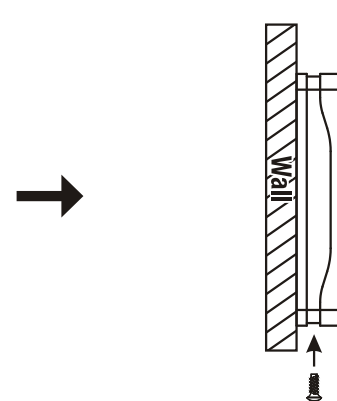
### C. Installation Guide



Install back case on the wall and connect cable



Install reader : clip top side first then press down



★ Fasten torx screw