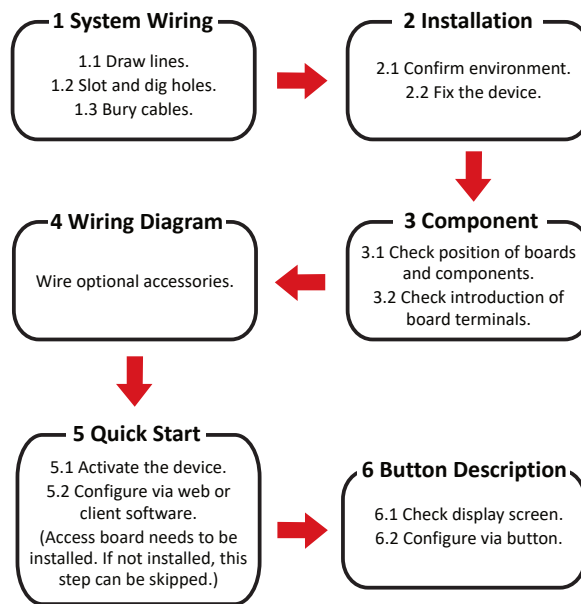


User Manual

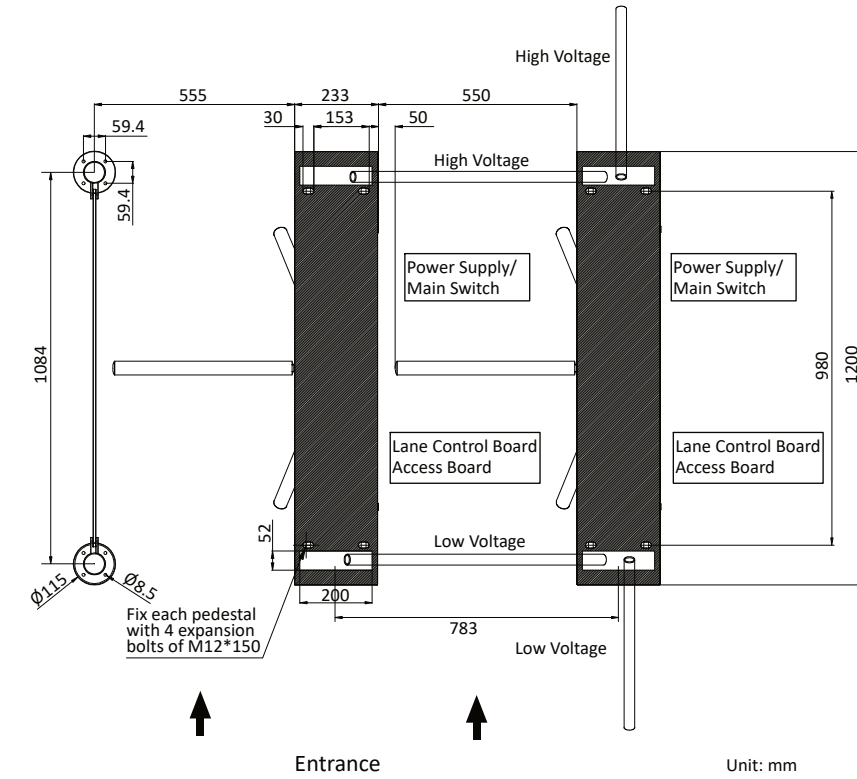
Wiring & Installation Video



### Quick Start Flow Chart



### 1 System Wiring

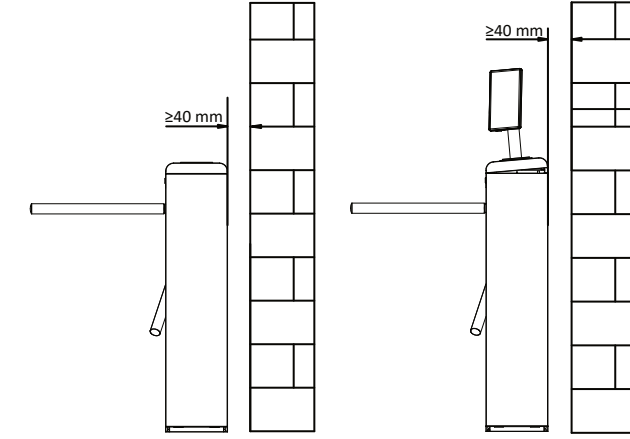


- Steps:**
1. Draw a central line on the installation surface of the left or right pedestal.
  2. Draw other parallel lines for installing the other pedestals.
  3. Slot on the installation surface and drill installation holes after determining the hole positions. Put 4 expansion bolts of M12\*150 for each pedestal.
  4. Bury cables.
- Notes:**
- The distance between the nearest two lines is 783 mm.
  - High voltage: 100 to 240 VAC, 50 to 60 Hz AC power input
  - Low voltage: network communication cable
  - The inner diameter of the low voltage conduit and of the high voltage (AC power cord) conduit should be larger than 30 mm. If any high-power authentication device is required to install on the left pedestal, the diameter of its conduits should be larger.
  - If you want to bury both of the AC power cord and the low voltage cable, the two cables should be in separated conduits to avoid interference.
  - If more peripherals are required to connect, you should increase the conduit diameter or bury another conduit for the external cables.
  - The external AC power cord should be double-insulated.
  - The network cable must be CAT5e or other cables with better performance.
  - Before digging holes, evaluate the thickness of the installation surface to avoid puncturing.
  - You can not thread cables in the diagonal area.

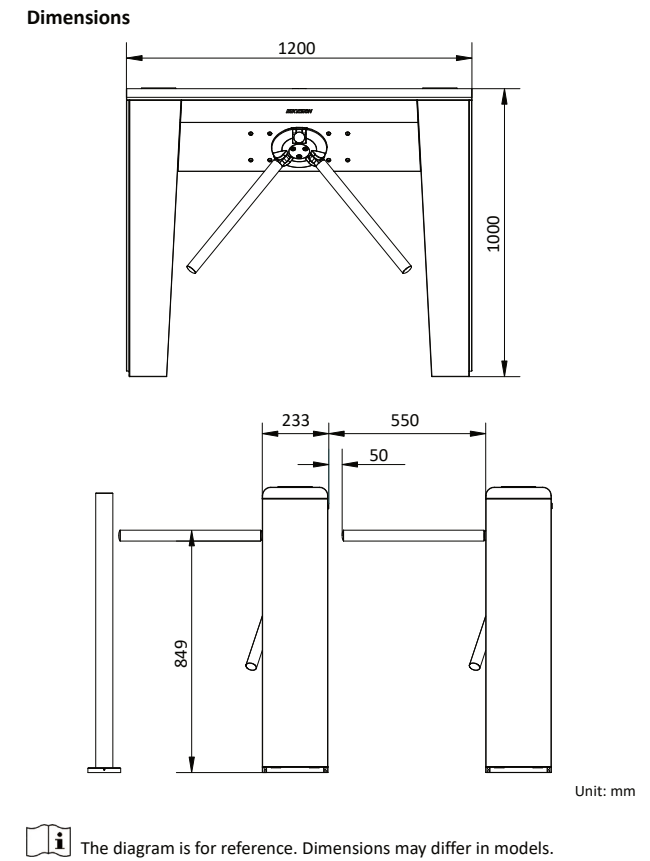
### 2 Installation

- Steps:**
1. Prepare installation tools, check the components, and clean the installation base.
  2. Align the pedestals with the pre-buried expansion bolts, and remove the top cover with the key.
  3. Loosen four screws on the top with the screwdriver and remove the maintenance door on both sides.
  4. Secure each pedestal with expansion bolts, and fix the top cover and maintenance door to its original position.

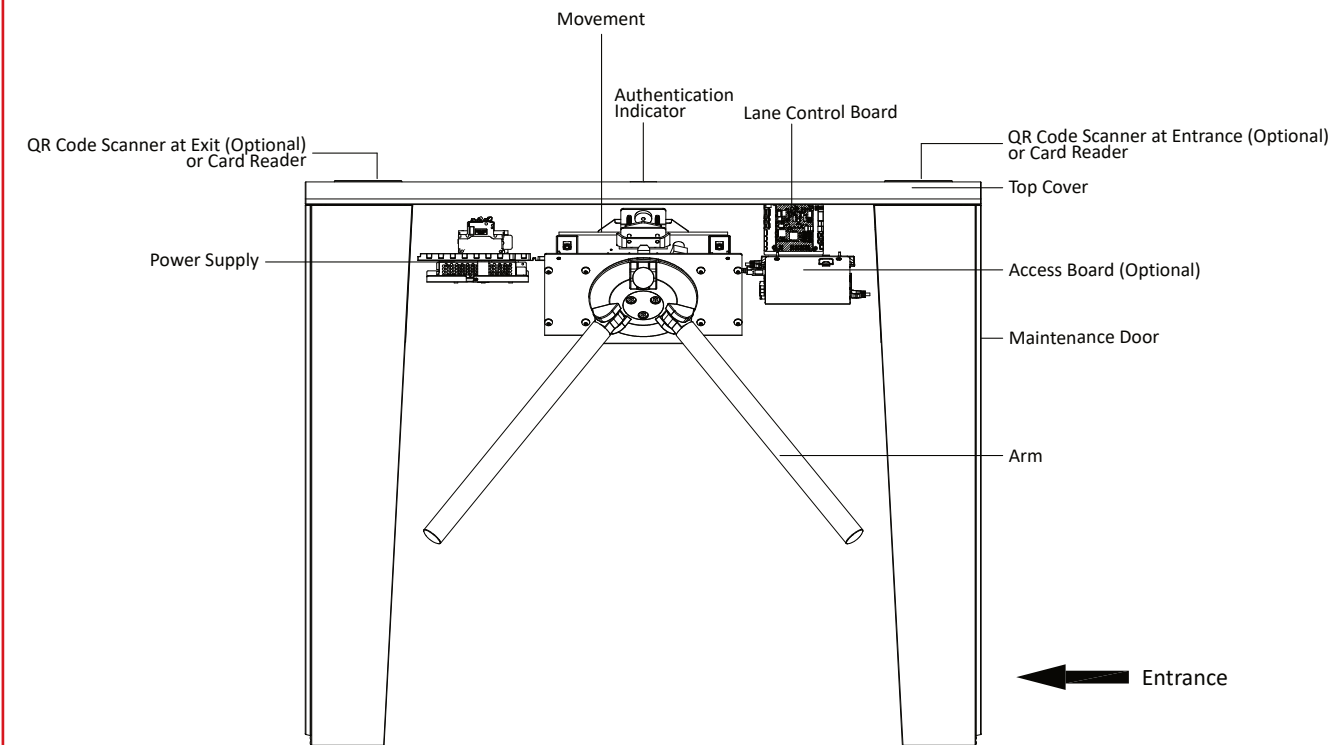
- Notes:**
- Make sure the device is installed on flat surface. The foundation should be hard and the thickness should exceeds the length of the expansion bolt.
  - Make sure the device is powered off during installation and other operations.
  - The installation tools are put inside the package of the pedestal.
  - In order to prevent stainless steel from rusting due to dirt during the installation, it is recommended to tear off the protective film after the device is installed.
  - There may be residual glue at the film cutting position, and it is recommended to wipe the glue with WD-40 protective liquid after tearing the film.
  - Do not immerse the pedestal in the water. In special circumstances, the immersed height should be no more than 713 mm.



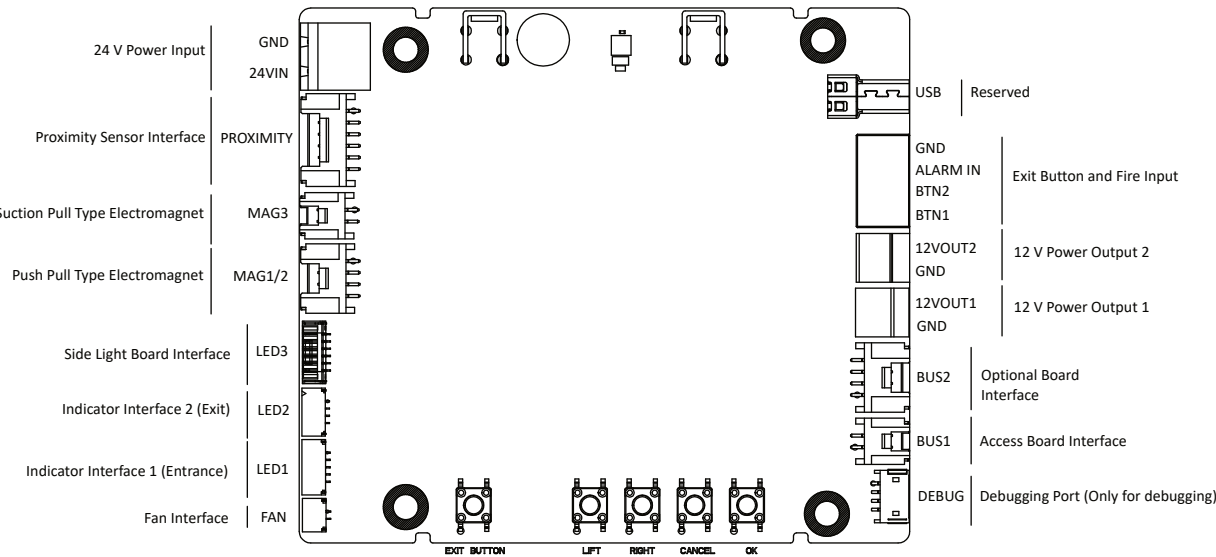
If the installation area is close to the wall, make sure the distance between the pedestal and the wall should be more than 40 mm, or you might cause damage to the device or cannot open the pedestal's top panel.



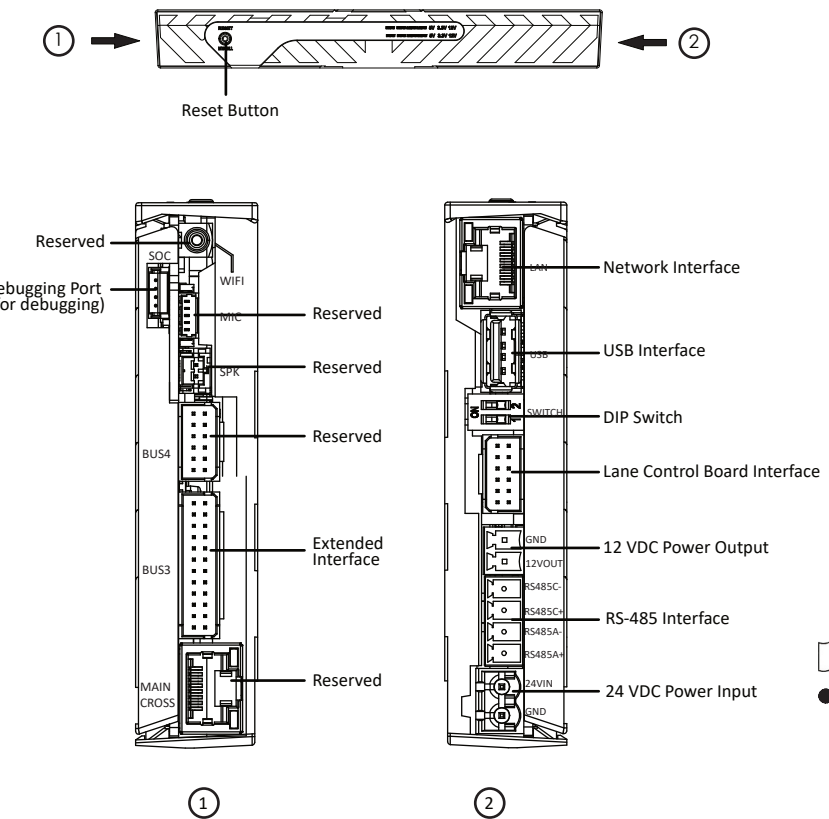
### 3 Components Introduction



#### ● Lane Control Board

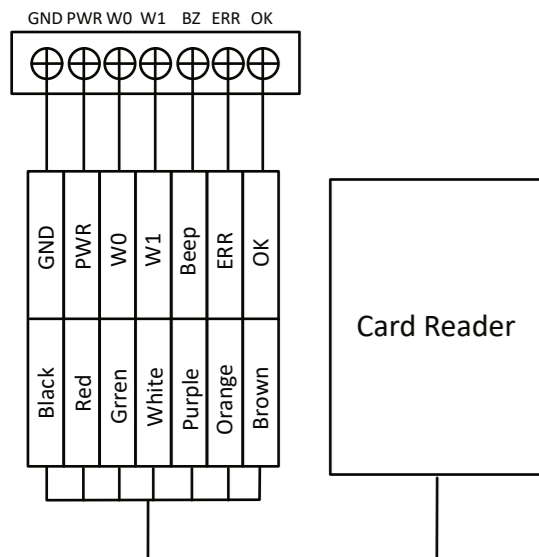


#### ● Access Board (Optional)



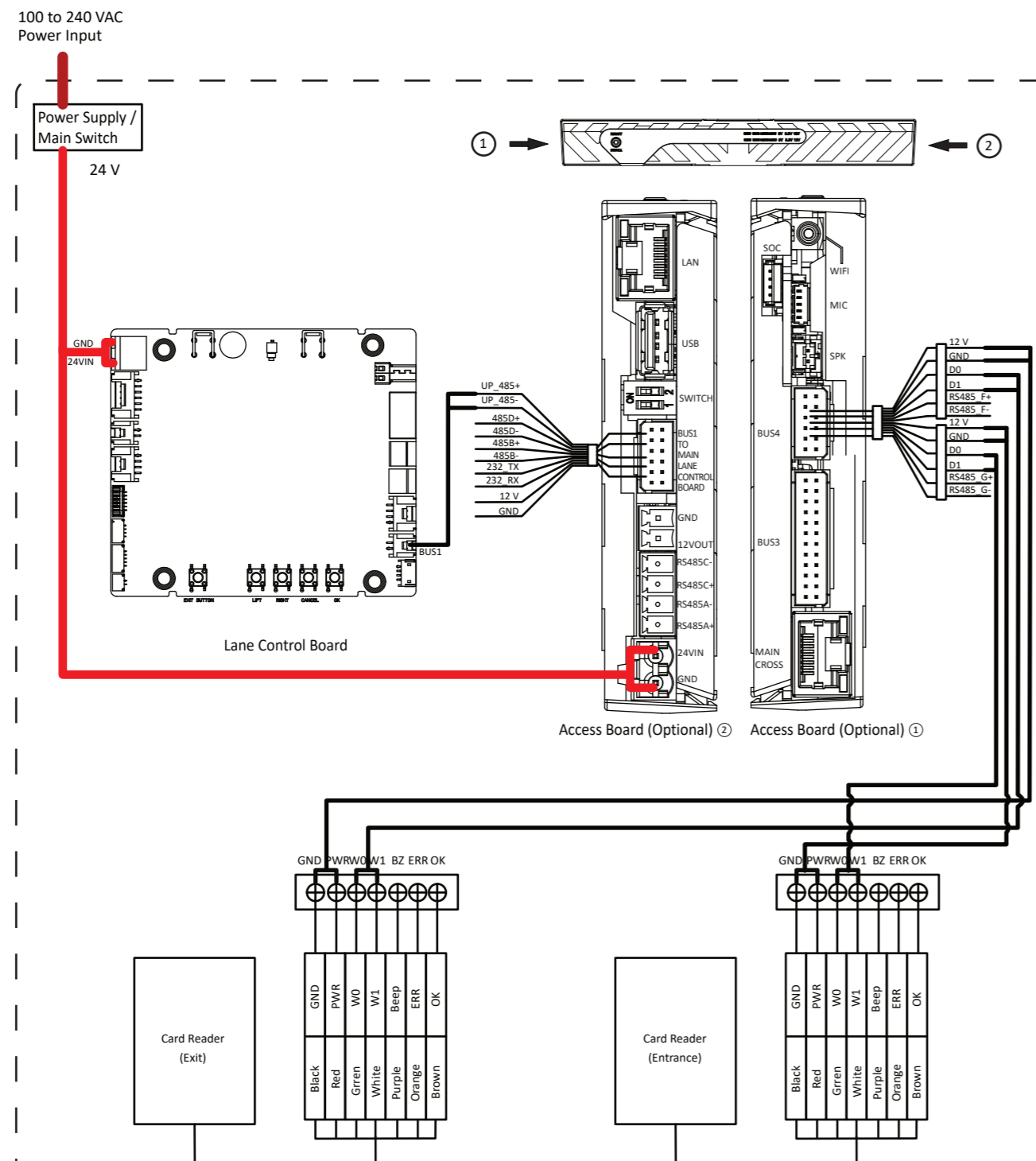
Hold the reset button for 5 s, the device will beep for 3 s and start restoring to factory settings.

● Card Reader



4 Wiring Diagram

- The power cable from main switch to the lane control board has been connected. You will need to prepare the 14AWG power cable to connect the AC power input to power supply.
- Barrier opens at the entrance/exit: connect to BTN1/BTN2 and GND.
- RS-485A corresponds to port 3 on web and is for QR code scanner connection at entrance by default; RS-485B corresponds to port 4 on web and is for QR code scanner connection at exit by default; RS-485C corresponds to port 5 on web and is for card reader connection at entrance by default; RS-485D corresponds to port 6 on web and is for card reader connection at exit by default.



5 Quick Start

Access board shall be installed for this step.

● Activation

- Make sure the device and the computer are under the same network segment.
- Enter the device default IP address (192.0.0.64) and create a new password (admin password) to activate the device.
- Download SADP or client software from the official website and run it, search all devices on your LAN, select your device and create a new password (admin password) to activate the device.

• We highly recommend you create a strong password of your own choosing (using a minimum of 8 characters, including upper case letters, lower case letters, numbers, and special characters) in order to increase the security of your product. Characters containing admin and nimda are not supported.

● Configuration via PC Web

Make sure the device is activated. Enter the device IP address in the address bar of the web browser and press **Enter** to enter the login page. Enter the device user name and the password. Click **Login**.

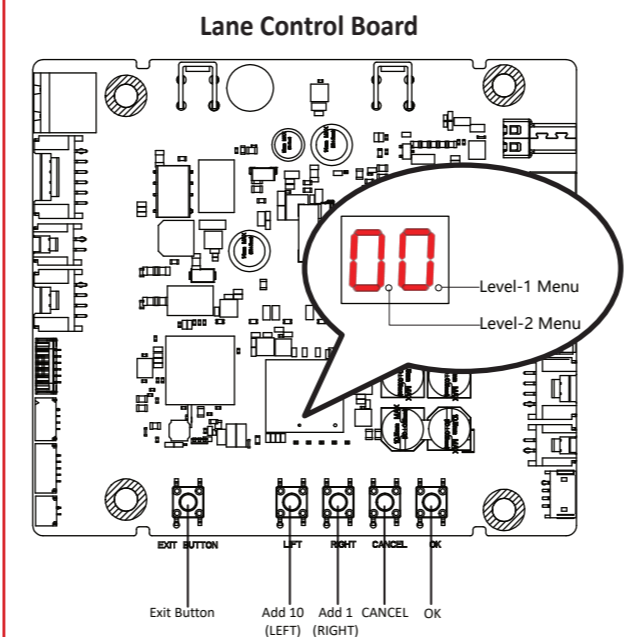
● Configuration via Mobile Web

Make sure the device and the phone are under the same network segment. Enter the device IP address in the address bar of the mobile browser. Enter the device user name and the password. Tap **Login**. You can configure the turnstile basic parameters, keyfob settings, light settings, network settings, access control settings, etc.

● Configuration via Client Software

After downloading the client software, you can conduct device management, group management, person management and access control management.

6 Button Description



The buttons are on the lane control board. Use them to configure the passing mode, etc.

Exit Button

Single press to open from the entrance position.  
Double press to open from the exit position.

Parameter Configuration Button

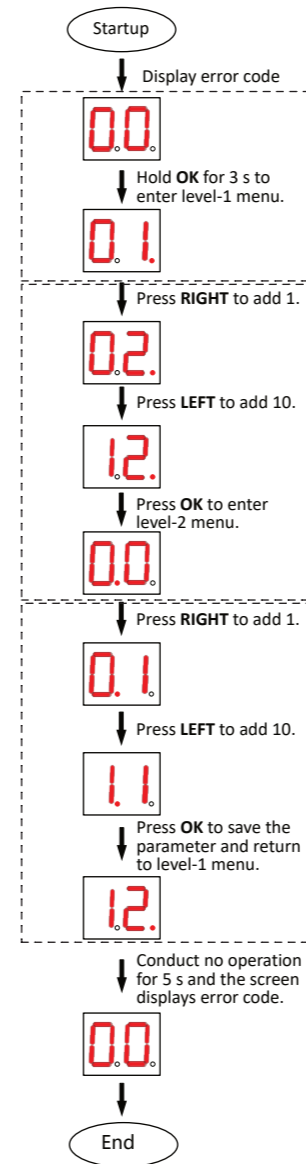
Configuration data: Configuration data is displayed on the screen display. LEFT: Press this button to add ten to the number for the configuration. RIGHT: Press this button to add one to the number for the configuration. CANCEL: Return to the level-1 menu, or exit the configuration from the level-1 menu. OK: Confirm the data, or enter configuration mode, or enter the submenu. Level-1 Menu: If the decimal point on the right is on, it indicates the level-1 menu. The number represents the configuration item number. Level-2 Menu: If the decimal point in the middle is on, it indicates the level-2 menu. The number represents the parameters of a configuration item.

Procedure

Enter the configuration mode. The number 1 will show up on the right side of the screen and the device is ready for configuration.

Press LEFT and RIGHT to set the configuration No. Press OK to enter the level-2 menu and view the parameters. Press CANCEL, or conduct no operation for 5 s to cancel the configuration.

Press LEFT and RIGHT to set the parameters. Press OK to save the change. Press CANCEL to return to the level-1 menu without saving the change, or conduct no operations for 5 s to cancel the configuration.



- If the optional board is not installed, the error code of "49" will appear, but the device functions normally.
- Refer to the user manual for button description details.