

SOYAL[®]

Iron Series

AR-327-E

Metal LCD Access Controller

IP-Based Access Controller that suited to harsh environment, one-piece meta housing has powerful function, working with flexibility as standalone or networking mode.



LCD (128*64) menu setting

The optional metal frame can strengthen its rigidity and the side collision protection to reduce damage.

Touch Background Light & Zinc Alloy Housing design

Touch keypad design strengthen the waterproof and wear resistance. The zinc alloy housing design and IP56 enhance the anti-vandalism.

Four functional keys for Time Attendance

Duty on/off, Break out, Break return, Overtime on/off etc.

Features



Waterproof (IP56)



Illuminated Touch Panel



Anti-Vandalism



Background Light



Two Doors Control



Dual-Band Frequency



Web



Youtube

- RS-485 and TCP/IP communication interface
- Built-in Watch Dog to prevent the halting
- User capacity: 16,000; Event logs: 32,000
- Lift Contro: 64 floors/32 floors/16 floors
- Ingress Protection IP56
- Data redundancy while system disconnected, identify users and store event log up to 32000 records
- Access Mode: Card Only, Card or PWD, Card and PWD
- 63 auto-open zone settings and 16 sets of Auto-Open Zone editable
- WG port provides anti-pass-back function
- Built-in HTTP Browser for remote Access Control
- One more Exit Switch, Door Contact and Door Output to wiegand
- Built-in Multi-Output: Door Lock / Alarm / Arming / Duress / Security trigger signal
- 125kHz and 13.56MHz can be used simultaneously two channels
- TTL or RS-485 serial output for various application, lift control and Bluetooth Module
- Built-in 16 set of Alarm and 120 days of Holiday setting
- Including the input of door contact, offering the alarm system of both door opening too long and being forced to open
- Intelligent to shift for standalone or networking mode while system disconnected
- Support SCC encryption (SOYAL SECURITY COMMUNICATION) to enhance security of communication

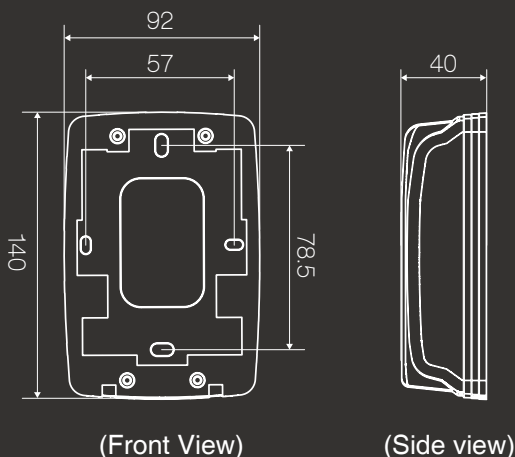
SPECIFICATION

Communication interface	Host	RS485(9600 bps (N, 8, 1) / TCP/ POE
	Serial	UART PORT (Output only) / 9600 bps (N, 8, 1) X2
Frequency	125kHz / 13.56MHz / Dual Band	
Supported Tags	125kHz	ISO18000-2: EM4001 and EM4095 compatible
	13.56MHz	1. ISO 14443 Mifare Ultralight, Classic, Plus, DESFire EV1&EV2 2. ISO 15693 3. Felica 4. NFC (card simulation)
Crypto	13.56MHz: CC Certification: AES Crypto comply with EAL5+	
RFID Reading Range	125kHz: 3-7 cm / 13.56MHz: 1-3 cm	
UID Bits	64	
DI/DO	DI	EgressX2 / Door State X2
	DO	Security Output / Arming Output / Duress Output
	RO	Door Lock Relay / Alarm Relay
Doors/Floors Number	2 Doors / 64 Floors	
User Capacity	16,000	
Event Log	32,000	
Indicator	LED	6 Bi-Color LED Power / Alarm / Arming / OK / Error / In processing
	Buzzer	1
Extend Port	Tamper Switch / Tamper Output / WG In Port / WG Out Port	
Dimension (mm)	140(H)X92(W)X40(D)	
Housing Material	Zinc Alloy	
Color	Chrome	
Weight (g)	430±10	
Power Consumption	<5W	
Power Voltage	9-24VDC	
Ingress Protection	IP56	
LCD Panel	128*64 (4 line messages, 16 Characters each line)	
Environment	Operating Temperature	-20°C ~ +65°C
	Storage Temperature	-25°C to +70°C
	Operating Humidity	20%~90%
	Storage Humidity	5%~95%

WHAT WE OFFER

- ✔ **Reader Mode Supported**
 AR-327-E controller can also be set to Reader mode, with Wiegand output that can be integrated with various brands of controllers, with a dual-band format that turns into Wiegand dual-band Reader.
- ✔ **Real-time event log integration**
 After reading card, IP-based controller AR-327-E will actively send the event logs through port 8031 for the integration with the 3rd party program.
- ✔ **Auto-Schedule**
 AR-327-E special firmware connect with DO module AR-401RO16B, using Lift Control program enabling you to control each Digital Output and formulate a time schedule for each output, up to 64. It's suitable for each various switching devices, such as lighting, sprinkler system, air conditioning, etc.
- ✔ **Auto-Open**
 The Wiegand reader Auto-Open time zone setting to control the infrared activation function / output the second set of door contact functions at a specific time.
- ✔ **Auto-Alarm**
 Built-in 16 sets of Alarm to output flash light, alarm clock, broadcast system, and each set of Alarm can set the output time.
- ✔ **With 2 sets of UART port**
 It can be applied to:
 - (1) 256-point Mailbox Management System
 - (2) Auto-scheduling control function-64-point DO control
 - (3) Printer integration
 - (4) Voice module (AR-721V-V2)
- ✔ **Double Door Control**
 Connected with Reader, it can manage 2 access control by a single unit AR-327-E. The second set of access control also has the exit switch, door contact status and door output control, can also set different access level (such as - can access Door A but can not access Door B).

INSTALLATION(mm)



HOW TO ORDER

AR-327-EXR1111-X

Frequency

B=125kHz
 D=13.56MHz
 S=125kHz+13.56MHz

RTC

R=Built-in RTC

Communication

1=RS485

Waterproof

1=Weatherproof

Additional Module

A=TCP/IP Module
 P=POE Features

Language(LCD)

1=English/Chinese

Color

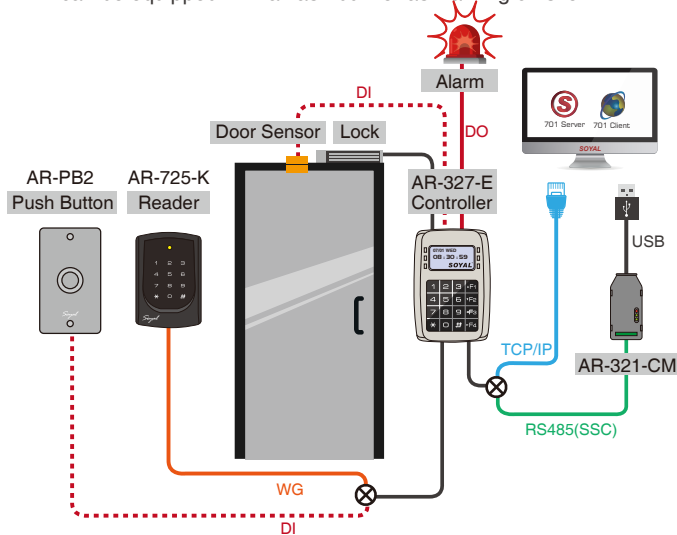
1=Silver

APPLICATION & STRUCTURE DIAGRAM

● STANDALONE & NETWORKING ACCESS CONTROL

Anti Passback: restrict user to re-enter before exiting venue or increase security level by having access reader at the other side of the door. Both entering and exiting will required swipe card or keyfob for access.

AR-327-E can detect abnormal event with the door contact status in arming mode. When a forced entry or door opening too long, an alarm is generated and sent to the software, AR-327-E alarm output can be equipped with a flash buzzer as warning on site.



-- 16,000 User, 63 Timezone --

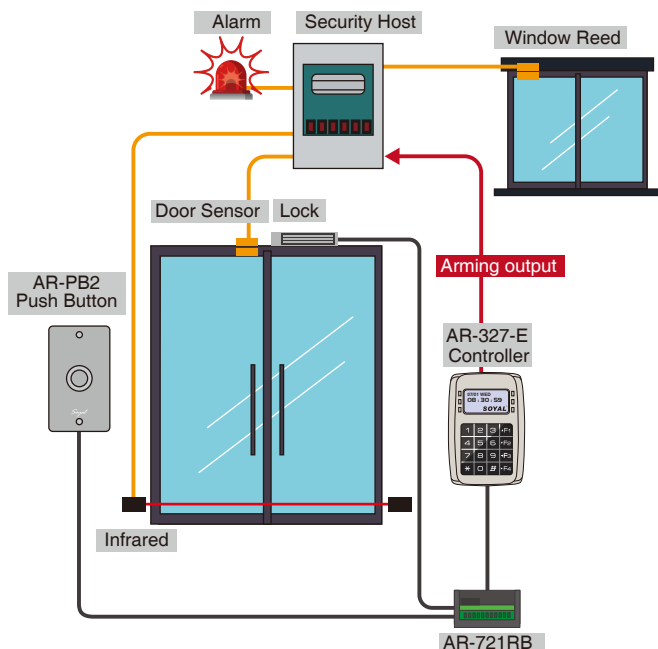
● BUILT-IN HTTP WEB SERVER

IP-Based Controller has built-in HTTP WEB Server for Access Control, just input IP address, have it logged in to remotely control a single controller, enabling adding User card, time zone setting, review event logs, etc, even more can remotely open/close door regardless the brand of computer and smart phone. As long as there is a WEB browser, the remote management function can be achieved.



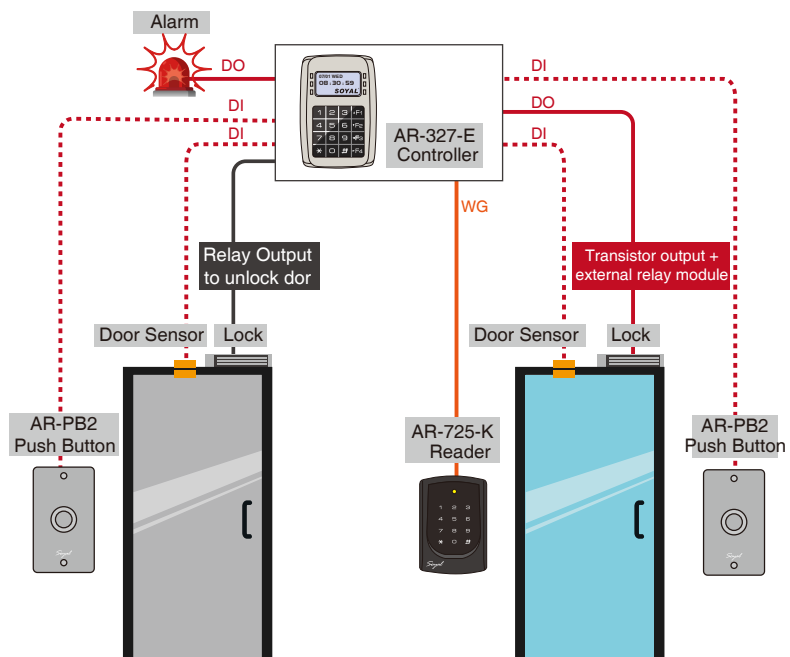
● INTEGRATED WITH BURGLARY SYSTEM

AR-327-E metal material makes it solid and sturdy for anti-vandalism, connecting digital signal module to distribute control exit button and electric lock, that preventing from door unlocked when if controller is destroyed; when there is a burglary system indoor, that can be activated/inactivated by access controller, after inputting arming code+ swiping valid card it trigger Digital Output (Pulse/Latch), a arming LED on AR-327-E to judge the status whether in arming mode, the best choice of Access Control Solution.



● E-SERIES CONTROLLER WITH WIEGAND READER FOR 2 DOORS CONTROL

SOYAL E-Series Controller is a Two Doors Controller, with WIEGAND Reader that enabling the entry/exit control in the same door ; providing Anti-Pass Back function, it's prohibited to enter the door if only entry record without exit record; when controlling 2 different doors that providing different access level (accessible in Door A but inaccessible in Door B)



PERIPHERALS / ACCESSORIES

HIGH LEVEL SECURITY

• Anti-Cloning Kits



Mifare Encryption

Encoder: AR-725-P
Authorization Tags
Software: Mifare Key



Desfire Encryption

Encoder: AR-837-P
Authorization Tags
Software: 323D Master

• Expansion I/O Control



I/O Modules

AR-401 Series:
Multiple Channel I/O Module
AR-403 Series: Tiny Digital I/O Module

NETWORKING

• Software



File Based & Data Based Interchangeable Software for Access Control, Time Attendance, Status Monitoring and Configuration

701 Server & 701 Client



Firmware Upgrade

UdpUpdater



Remote Lift Control and Time Table Setting

LiftControl

• Signal/Interface Converter



POE Module

AR-MDL-RJ45-POE-12V12W



Isolated USB to RS-485

AR-321-CM

Isolated RS232 to RS-485 Converter

AR-321-CM-485232



Ethernet to RS485

AR-727-CM
AR-727-CM-IO-0804M (with I/O for Fire Alarm to open all doors)

STANDALONE

• Input/Output



Locks

Magnetic Lock
AR-0600M-270
Electric Bolt Lock
AR-1207 Series
Cabinet Lock
AR-1211-P/AR-1213-P
Electric Strike
AR-YS-130NO/AR-YS-131NO



Door Sensor / Push Button / Alarm / Burglary Security System

• Iron Series



按鍵型門禁控制器

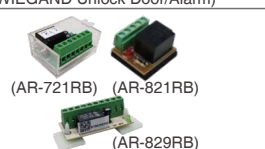
AR-321-H

門禁讀頭

AR-321-K/U

• External Relay Output

(Security / Arming / Duress / WIEGAND Unlock Door/Alarm)



1 Form C relay with time delay

AR-721RB

1 Form C relay

AR-821RB

2 Form C relay

AR-829RB

• UART Port x 2



Lift Control / I/O Module / Printer / LED display / Voice Module / Bluetooth Module / Infrared Thermo-Camera

• Programming • Necessary



Keyless Editing

Self programmed master card



Power Supply

BP-W12-1500 (1.5A)
BP-W15-2400 (2.4A)



Proximity Tags

125kHz: EM
13.56MHz: Mifare Classic, Mifare Plus, Mifare Desfire, UltraLight
Tags Selection: Thin Card, Round Keyfob, Square Keyfob



AR-327-E

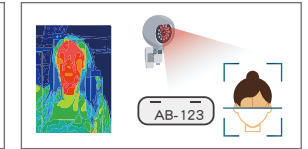
• Multi-Door AntiPassback



Multi-Door Control Series

AR-716-E16: 16 Doors IP Control Panel
AR-716-E18: 18 Doors IP Control Panel

• Extensive Applications (UDP/TCP)



Infrared Thermo-Camera, LPR (License Plate Recognition)

FAQ

Q: How to replace LCD display pictures in standby mode for SOYAL E-series controller?

A: E series LCD controllers can replace the pictures displayed in standby mode through a software tool, and can design the drawing file according to your needs, such as the company logo or building image, etc., which can improve the overall image.



◀ Scan QR cod to view

Q: How to operate voice module function with SOYAL E-series LCD controller?

A: E-series controller can connect with external voice module, after downloading alias it will display Alias on LCD display for administrator's crosschecking; this function is also good to suit in community as reminder to the residents when letters arrive.



◀ Scan QR cod to view



More FAQ