

### Contents

#### AR-331K [With Illuminated Key]

- 1 Product
- 2 User Guide
- 3 Tools
  - a x2
  - b x1
  - c x1
  - d x1

#### AR-331U [W/O Illuminated Key]

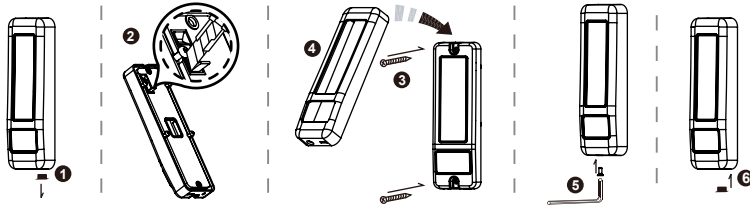
- 1 Product
- 2 User Guide
- 3 Tools
  - a x2
  - b x1
  - c x1
  - d x1

### Parts Description

- a. Flat Head Cap Philips Tapping Screw: 4x19.1
- b. Security Torx Screw: M3x10
- c. Security Torx Wrenches
- d. Protection Plug

### Installation

#### AR-331K/AR-331U



- Remove the rubber plug.
- To cut tamper-resistant column and make it fit the appropriate height for actual installation.
- First, take off the metal casing then screw the controller on the wall.
- Second, put the metal casing back and lock it with security screw.
- Finally, put the rubber plug into the hole.
- Turn on the power, and LED will light and beep will sound.

### AR-331K / AR-331U Terminal Cable (125kHz / 13.56MHz)

#### Cable : P1

Wire	Pin	Color	Description
WG Format	1	Orange	SET2
	2	Purple	SET1
Reserved	3	X	Reserved
Power	4	Red	DC Power 12V
	5	Black	DC Power 0V (GND)

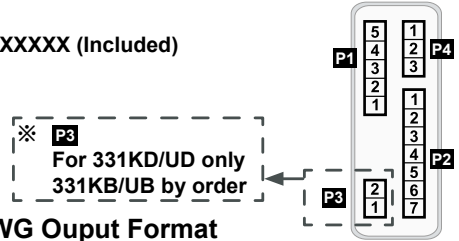
#### Cable : P2

Wire Application	Wire	Color	Description
WG Output	1	Blue	Wiegand DAT:1 Output
	2	Green	Wiegand DAT:0 Output
Card Present	3	Orange	Card Present
Reserved	4	X	Reserved
Beeper	5	Pink	Beeper Negative Input
LED	6	Brown	LED Green Negative Input
	7	Yellow	LED Red Negative Input

#### Cable : P3 (For 331KD/UD only; 331KB/UB must by order)

Wire	Pin	Color	Description
Networking	1	Thick Green	RS-485(B-)
	2	Thick Blue	RS-485(A+)

※After S/N: \_1604XXXXXX (Included)



#### For Cable P2 WG Output Format

##### WG Output Selection

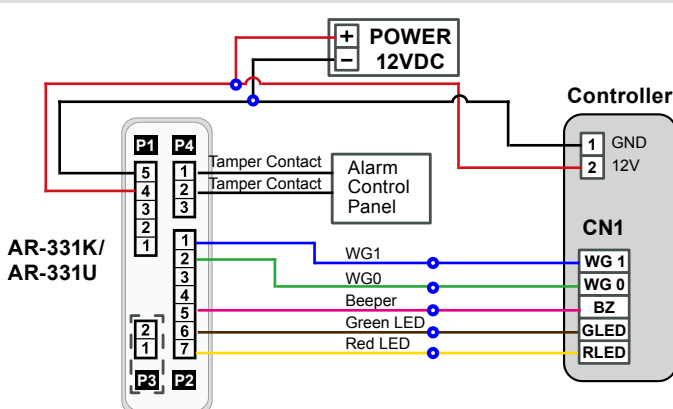
Output Format	SET 1	SET 2	Note
WG-26	Open	Open	Hex
WG-34	Open	Short to GND	Hex
ABA-10	Short to GND	Open	BCD 10
ABA-5-5	Short to GND	Short to GND	BCD 5:5
UART P3	Short to GND	Open	ASCII

#### Cable : P4 (※After S/N of 331H: \_1604XXXXXX)

Wire	Pin	Color	Description
Tamper Contact	1	White	Tamper Contact 1
	2	White	Tamper Contact 2
	3	Red White	Reserved

### Wiring Diagram

#### Connect to Reader



#### Networking Diagram (13.56MHz Only / 125kHz required) (125kHz must by order with customized hardware)

