

SOYAL[®]

AR-661UG-L UHF RFID READER HANDHELD

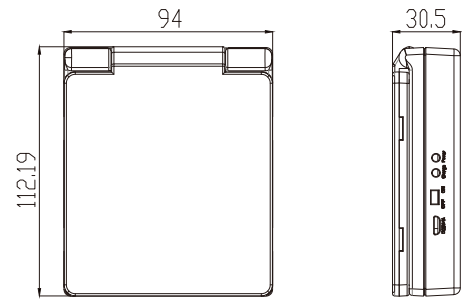


AR-661UG-L, Handheld UHF RFID reader. It has small, light weight, convenient and simple operation feature. The reader is compliant with EPC Gen 2 (ISO 18000-6C) standard. It built-in 2.2 inches LCD screen and 23dBm RF module with 0.54dBi gain antenna. Through the simple operation, user can get the electric label or particular card information from LCD screen directly. It suitable for single date processing.

The product is in compliance with the provisions of communications and safety regulations set by the National Communications Commission (NCC) and the Federal Communications Commission (FCC).

Product Information:

- 112.19 x 94 x 30.5mm
- Electronic tag compliant with EPC Gen II (ISO18000-6C) standard
- Built-in 23dBm RF module and 0.54dBi gain antenna
- Card code directly display on the LCD screen
- Invention patents design to reduce EMI radiation
- Built-in Lithium battery and charging compatible with mobile devices
- Small,light weight and easy to use
- Stored 19440 sets data available
- Available to communicate with computer by Micro-USB to USB data transmission cable transmission line



Operating Voltage	Lithium-ion battery (external charging)
Antenna Gain	0.54 dbi
Antenna Connection	50 ohm U.FL.
Operating Frequency	922-928 MHz
Transmitting Power	23 dBm (Adjustable)
Modulation	PR-ASK,ASK
Current Consumption	300mA
Supported Transponders	EPC Gen2(ISO 18000-6C)
Receiving sensitivity	-81 dBm
Reading range (Avg.)	50cm
Temperature Range	Operating -0C to +45C, Storage 45 (1 month)
Relative Humidity	5-90%
Dimension(L x W x H)	112.19 x 94 x 30.5 mm