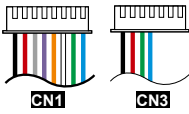


Content & Feature

1 Product



2 Terminal Cables

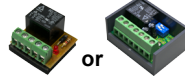


3 Optional



AR-WG-KEYBOARD

Master Card x2

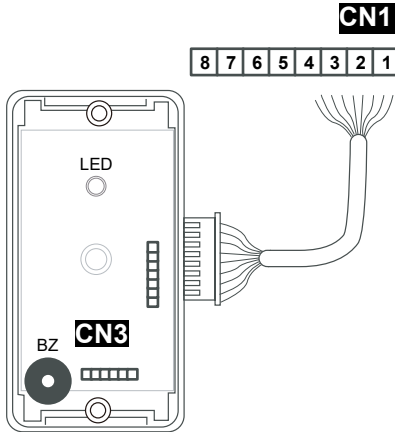


AR-821-RB or AR-721-RB

4 Feature

- Slim design makes installation easy
- MASTER CARD for adding / deleting tags
- Set up parameters and user tags by external WG Keyboard
- Built-in security digital opening signal
- Built-in Watchdog to prevent from hanging up

Connector Table



Networking: **CN1** 8 PIN

(RS-485)

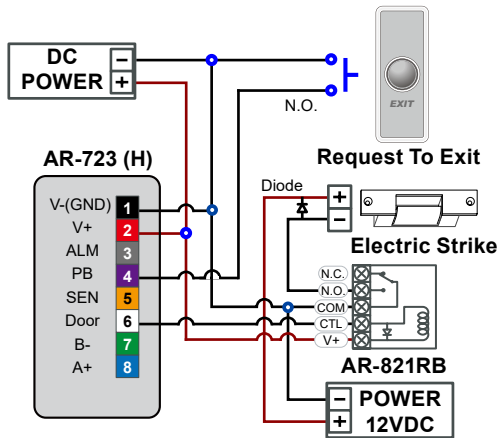
| Application | Wire | Color | Description |
|--------------|------|--------|--|
| Power | 1 | Black | DC 0V (GND) |
| | 2 | Red | DC 9-24V |
| Alarm Relay | 3 | Gray | Open collector output |
| R.T.E | 4 | Purple | Negative Trigger Input |
| Door Contact | 5 | Orange | Negative Trigger Input |
| Lock Relay | 6 | White | Open collector output/ Security Trigger Signal |
| RS-485 | 7 | Green | RS-485 B- |
| | 8 | Blue | RS-485 A+ |

CN3 WG-READER or KEYBOARD Socket

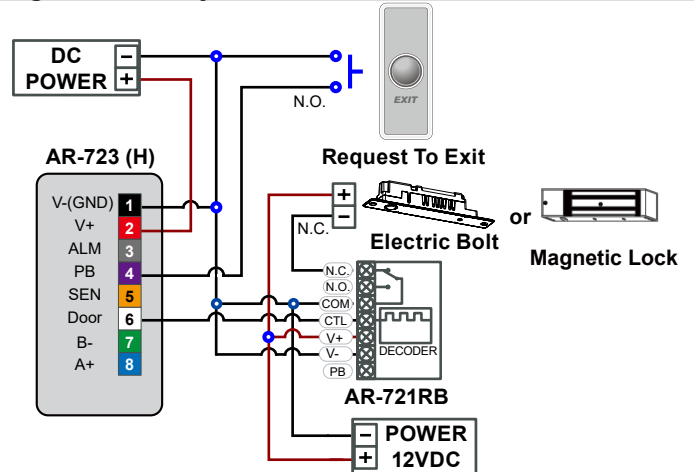
| Application | Wire | Color | Description |
|-------------|------|-------|-------------|
| | 1 | | |
| | 2 | | |
| | 3 | | |
| WG | 4 | Blue | WG DATA 1 |
| | 5 | Green | WG DATA 0 |
| Power | 6 | Red | DC 9-24V |
| | 7 | Black | DC 0V (GND) |

Diagram

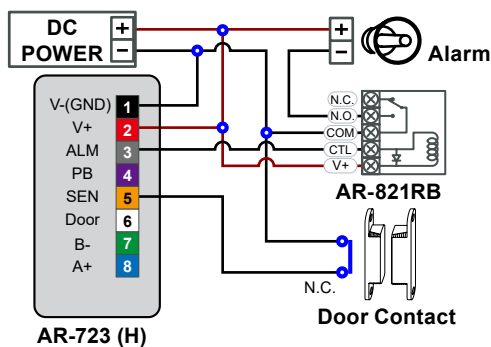
Connect to Electric Strike



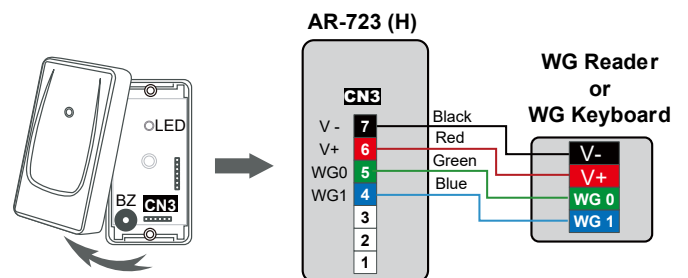
Strengthen security with AR-721RB



Connect to Door Contact and Alarm



Connect to Reader or Keyboard

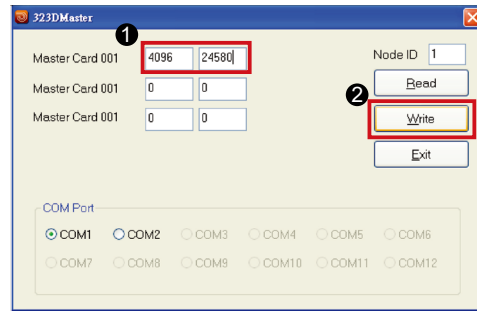


• Please unload the cover before plug in AR-WGKEYBOARD.

About Master Card

MASTER CARD Setting for Stand-Alone

AR-723 (H)

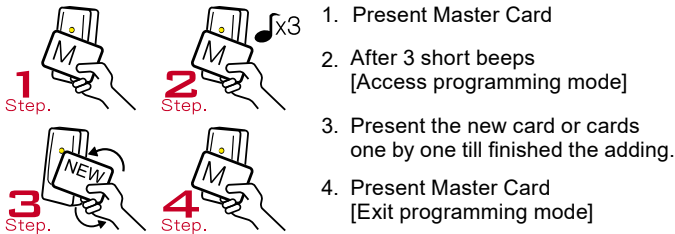


- Use the MASTER CARD software

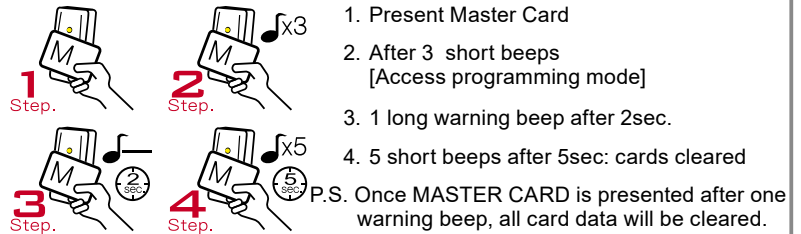


- Input the MASTER CARD number, and press [Write].
- Cut off and then transmit the power, the master card number will be activated.
- Present the card, and the reader will flash green light 3 times and sound 3 beeps. Then the card becomes MASTER CARD and accesses programming mode. If MASTER CARD is presented again, it will exit programming mode.

Adding Tag



Deleting All Tags



Operation process

A. Enter/ Exit Program Mode

- Enter the program mode**
Input *123456 # or *PPPPPP #
[e.g.] The Default Value= 123456, if already changed the Master Code= 876112, input *876112 # → program mode accessed
- Exit the program mode**
Input * #
- Master Code modification**
Access programming mode → 09 *PPPPPPRRRRR # [Input the 6-digit new master code twice.]
[e.g.] Set the Master code to be 876112, input *123456 # → 09 *876112876112 #

B. Set up the password [Only for connect to external K-series reader]

- M4/M8: Individual pass code**
Card or PIN: Access programming mode → 12 *UUUUU *PPPP # [e.g. User address: 00001 and pass code: 1234, input 12 *00001 *1234 #]
Card and PIN: Access programming mode → 13 *UUUUU *PPPP # [e.g. User address: 00001 and pass code: 1234, input 13 *00001 *1234 #]
- M6: Public pass word**
Card or PIN: Access programming mode → 15 *PPPP # [Input 4-digit pass code, default value: 4321]
Card and PIN: Access programming mode → 17 *PPPP # [Input 4-digit pass code, default value: 1234; PPPP=0000: change into Card Only]

C. Lift control

Connect with **AR-401RO16B** to control floors which the user will be able to access.

- Enable**
Access programming mode → 24 *002 # [002= enable lift control]
- Single floor**
Access programming mode → 27 *UUUUU *FF #
UUUU=User Address FF=Floor number (01~32 floor)
[e.g.] User address NO. 45, allow to access the 24th floor: 27 *00045 *24 #
- Multi floors**
Access programming mode → 21 *UUUUU *S *FFFFFF #
[UUUUU=User address S: 4 sets of lift control (Input: 0~3) FFFFFFFF: 8 floors setting (F=0=Disable, F=1=Enable)]
[e.g.] User address NO. 168, only to the 6th and the 20th floor:
Access programming mode → 21 *00168 *0 *00100000 # → 21 *00168 *2 *00001000 #

| Set | Floor/ Stop | | | | | | | |
|-----|-------------|----|----|----|----|----|----|----|
| | F | F | F | F | F | F | F | F |
| 0 | 8 | 7 | 6 | 5 | 4 | 3 | 2 | 1 |
| 1 | 16 | 15 | 14 | 13 | 12 | 11 | 10 | 9 |
| 2 | 24 | 23 | 22 | 21 | 20 | 19 | 18 | 17 |
| 3 | 32 | 31 | 30 | 29 | 28 | 27 | 26 | 25 |

D. Setting Up the Arming [Only for connect to external K-series reader]

- **Alarm conditions:**
 1. Arming is enabled
 2. Alarm system connected
- **Application:**
 1. **Door open too long:** Door is open longer than door relay time plus door close time.
 2. **Force open** (Opened without a valid user card): Access by force or illegal procedure.
 3. **Door position abnormal:** Arming is enabled and the power is suddenly off then on.
- **Enable/Disable Arming status (for M4/M8; Factory default armingcode is: 1234) :**

| | |
|---|--|
| Standby Mode | |
| After door open | Do not open the door |
| The normal procedure to open door → Input 4 digit arming code → # | * → Input 4 digit arming code → Present valid card |
| Enter Program Mode | |
| Enable: Access programming mode → * * # | Disable: Access programming mode → * # |

※ [The normal procedure to open door] can refer to [Access Mode].

Function Default Value

| 20 * DDD # | Selection | | Value | Application |
|------------------------------|-------------|------------|-------|------------------------|
| Attendance | ※0: Yes | 1: No | 001 | Networking |
| Auto Re-lock | ※0: Disable | 1: Enable | 002 | Networking/Stand-Alone |
| Auto Open | ※0: Disable | 1: Enable | 004 | Networking/Stand-Alone |
| Door open button input | 0: Disable | ※1: Enable | 016 | Networking/Stand-Alone |
| Master Controller of Network | ※0: Slave | 1: Mater | 032 | Networking |

| 24 * DDD # | Selection | | Value | Application |
|--|------------------|-----------------|-------|------------------------|
| Auto-open door without cards at auto open zone | ※0: Disable | 1: Enable | 001 | Networking/Stand-Alone |
| Alarm Output/ Lift Control | ※0: Alarm Output | 1: Lift Control | 002 | Networking/Stand-Alone |
| Stop Alarm by door close or by push button | 0: None | ※ 1: Yes | 064 | Networking/Stand-Alone |

| 28 * DDD # | Selection | | Value | Application |
|-------------------------|-------------|-----------|-------|------------------------|
| Dual Door Control | ※0: Disable | 1: Enable | 064 | Networking/Stand-Alone |
| Force Open Alarm Output | ※0: Disable | 1: Enable | 128 | Networking/Stand-Alone |

Selection= 0(none value)/ 1(1 x each value)

[e.g.] DDD value of Enable "Auto Open" + "Exit by Push Button" + "Anti-pass-back"

= (0x1)+(0x2)+(1x4)+(1x16)+(0x32)+(0x64)+(1x128)=148 ; As a result of that, the command will be 20 * 148 #

Mode4 / Mode6 / Mode8

| Mode | Networking/Stand-Alone | User Capacity | Access Mode | Auto-show Duty time | Event log Capacity | 120 Holidays | Anti force | Time Zone | Lift Control | Anti-pass-back |
|------|------------------------|---------------|--|---------------------|--------------------|--------------|------------|-----------|--------------|----------------|
| M4 | Networking/Stand-Alone | 1,024 | 1.Card only 2.Card and PIN (4-digit PIN)+ # 3.Card or User address (5-digit) + Individual PIN (4-digit individual PIN) + # | Yes | 1,200 | Yes | Yes | No | 32 | Yes |
| M6 | Stand-Alone | 65,535 | 1.Card only 2.Card and PIN (4-digit public PIN= Arming PWD)+ # 3.Card or PIN (4-digit public PIN= Duress code) | No | No | No | No | No | No | No |
| M8 | Networking/Stand-Alone | 1,024 | 1.Card only 2.Card and PIN (4-digit individual PIN)+ # 3.Card or PIN (4-digit individual PIN) | Yes | 1,200 | Yes | Yes | No | 32 | Yes |

※ **Mode 6**, the number of users up to 65535, since it reads **CARD CODE**(5 digits) only, unlike that Mode4/Mode8 read **SITE CODE** and **CARD CODE**(10 digits).
If **Access Mode setting to use the PIN**, it need to external the K-series Readers.

Factory Reset by its commands

- **When the device is stand-alone (not networking)**

Access programming mode → 20 * 016 # → 24 * 064 # → 26 * 00000 * 01023 * 1 # → 28 * 000 # → 29 * 29 * #

※Note: After the Master Code is changed, factory reset doesn't restore the Master Code back to 123456.

Command List

| Function | Command | Description | Mode |
|---|-------------------------------|---|--|
| Entering programming mode | * PPPPPP # | PPPPPP=Master Code, default value=123456 | M4/M6/M8 |
| Exiting programming mode | * # | | M4/M6/M8 |
| Exiting programming mode and enabling arming status | * * # | | M4/M8 |
| Node ID setting (Connecting to 716E) | 00 * NNN # | NNN=Node ID, range: 001~254 | M4/M8 |
| Node ID setting (Connecting to PC directly without via 716E) | 00 * NNN * VVV * nnn # | NNN=Node ID of Access Controller, VVV=Virtual 716E Node ID, nnn=Door number; range:001~254 | M4/M8 |
| Mifare tag / card format (Optional) | 01 * N # | N: 0=ISO14443A; 1=ISO14443B; 2=ISO15693; 3=I Code1; 4=I Code2 PS.1. Please select the compliance,first. 2. Make sure reader and card using the same compliance. | M4/M8 |
| Door relay time setting | 02 * TTT # | TTT=Door relay time 000= Output constantly 001~600=1~600 sec. 601~609=0.1~0.9 sec. | M4/M6/M8 |
| Alarm relay time setting | 03 * TTT # | TTT=Alarm relay time 001~600=1~600 sec. | M4/M6/M8 |
| Control mode setting | 04 * N # | N=Mode 4=Mode4; 6=Mode6; 8=Mode8 | M4/M6/M8 |
| Arming delay time setting | 05 * TTT # | TTT=Alarm relay time 001~600=1~600 sec. | M4/M6/M8 |
| Alarm delay time setting | 06 * TTT # | TTT=Alarm delay time 001~600=1~600 sec. | M4/M6/M8 |
| Master card setting | 07 * SSSSS * EEEEE # | SSSSS-EEEE=00000-01023 (00000-03000 for AR-725H); SSSSS=Starting user address; EEEEE=Ending user address | M4/M8 |
| Auto-open time zone setting | 08 * N * HHMMhmm * 6543217H # | N= 0(1st time zone) / 1(2nd time zone) HHMM= Starting time; hmmm= ending time (i.e.: 08301200=08:30 to 12:00) 6543217H= 7 days of week (Sat/Fri/Thu/Wed/Tue/Mon/Sun)+ Holiday (F= 0: disable; 1: enable); Holidays establish by the software. | M4/M6/M8 |
| Master code setting | 09 * PPPPPRRRRRR # | PPPPPP=New master code RRRRRR=Repeat the new master code | M4/M6/M8 |
| Setting | Suspend tag(M6) | 10 * SSSSS * EEEEE # | * =Suspend 9 =Delete; |
| | Delete tag(M4) | 10 * SSSSS 9 EEEEE # | SSSSS=Starting user address, EEEEE=Ending user address |
| Set a sequence of cards as "read and access" | 11 * SSSSS * EEEEE # | SSSSS=Starting card number; EEEEE=Ending card number | M4/M8 |
| Active the suspended cards | 11 * SSSSS * EEEEE # | SSSSS=Starting user address; EEEEE=Ending user address | M4/M8 |
| Set the cards as Card mode OR PIN mode by user address | 12 * UUUUU * PPPP # | Access mode: Card or PIN ; UUUUU=user address; PPPP=4-digit pass code 0001~9999 | M4/M8 |
| Set the cards as Card AND PIN mode by user address | 13 * UUUUU * PPPP # | Access mode: Card and PIN ; UUUUU=user address; PPPP=4-digit pass code 0001~9999 | M4/M6/M8 |
| M4: Duress code setting M6: Public PIN setting (Card or PIN) | 15 * PPPP # | PPPP=4-digit pass code (default value=4321) P.S. Duress code will be unavailable and become a public PIN at access mode "Card or PIN" of M6 | M4/M8 |
| Card number modification | 16 * UUUUU * SSSSSCCCC # | UUUUU= User address; SSSSS=5-digit site code; CCCCC=5-digit card code | M4/M6/M8 |
| M4: Arming pass code setting M6: Public PIN setting (Card and PIN) | 17 * PPPP # | PPPP=4-digit pass code (default value=1234; disable Arming PWD=0000) P.S. Arming PWD code will be unavailable and become a public PIN at access mode "Card PIN" and of M6 | M4/M6/M8 |
| Door open waiting time | 18 * TTT # | TTT=Door open waiting time: 001~600=1~600 sec.; default value: 15 sec. | M4/M8 |
| Set the card by induction (M4) | 19 * UUUUU * QQQQQ # | UUUUU=User address; QQQQQ=Card quantity(00001=Continuously inducting) | M4/M6/M8 |
| Reader additional setting | 20 * DDD # | Please refer to function default value for details. | M4/M6/M8 |
| Lift control setting: multi-doors | 21 * UUUUU * S * FFFFFFFF # | UUUUU=User address, S=4 sets of lift control(0~3); FFFFFFFF=8 assigned floor (F=0: Disable, 1: Enable) | M4/M8 |
| Add/Delete tag by induction (M6 only) | 22 * N # | N=0(Delete tag); N=1(Add tag) | M6 |
| AR-401ROsite number dip switch | 23 * NNN * TTT # | NNN=site number, TTT= relay time: 000~600=1~600 sec. | M4/M8 |
| Controller parameter setting | 24 * DDD # | Please refer to function default value for details. | M4/M6/M8 |
| Controller time clock setting | 25 * YYMMDDHHmmss # | YYMMDDHHmmss: Year/ Month/ Day/ Hour/ Min./ Sec. | M4/M6/M8 |
| Anti-pass-back (Enable user) | 26 * SSSSS * EEEEE * N # | SSSSS=Starting user address; EEEEE=Ending user address; N=0/Enable; N=1/Disable; N=2/Initial | M4/M8 |
| Single floor setting | 27 * UUUUU * FF # | UUUUU=User Address; FF=Floor (01~32 floor) | M4/M8 |
| Dual door control/ Active or inactive arming for force open | 28 * DDD # | Please refer to function default value for details. | M4/M6/M8 |
| Delete all tags | 29 * 29 * # | | M4/M6/M8 |
| Enable the security trigger signal (with AR-721RB) | 34 * 064 # (Enable) | Change the "Door Lock" become the security trigger signal when connecting with AR-721RB. | M4/M6/M8 |
| | 34 * 000 # (Disable) | | |