

SOYAL[®]

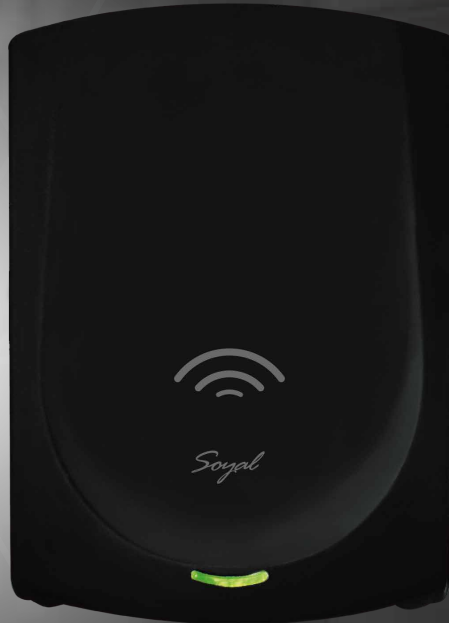
Illuminate Series

AR-725-U/P/R/N

RFID Card Reader / Writer / Programmer



(Wall-mounted Type)



(Desktop Type)

Desktop and Wall-mounted Installation Design For Various Application

In addition to desktop type, the wall-mounted type is available for multiple style choices.

Support WIN XP, WIN 7, WIN10

Support multi operation system, improve the compatibility and convenience

Support NFC

NFC communication device, contactless point-to-point data transmission

Support MIFARE / DESFire

Supports multiple card formats including MIFARE, DESFire, ISO14443A, ISO15693 and so on



Features



LED Status Indicator



Support Multiple Operation Modes



Watchdog



Support NFC



USB-HID Plug&Play free of driver installation



Web



Youtube

AR-725-U-USB / AR-725-U-232/485 features

- Support Serial Port Communication Read/Write
- USB interface, only need to install USB Driver to use

AR-725-P features

- Support Mifare read and write encryption, anti-cloning solution to improve safety
- Taiwan Utility Patent : SOYAL Open System Rules (SOR), Patent Number: I 365414

AR-725-N features

- USB-HID Plug&Play free of driver installation
- Quickly register card UID number in Text or Excel files.

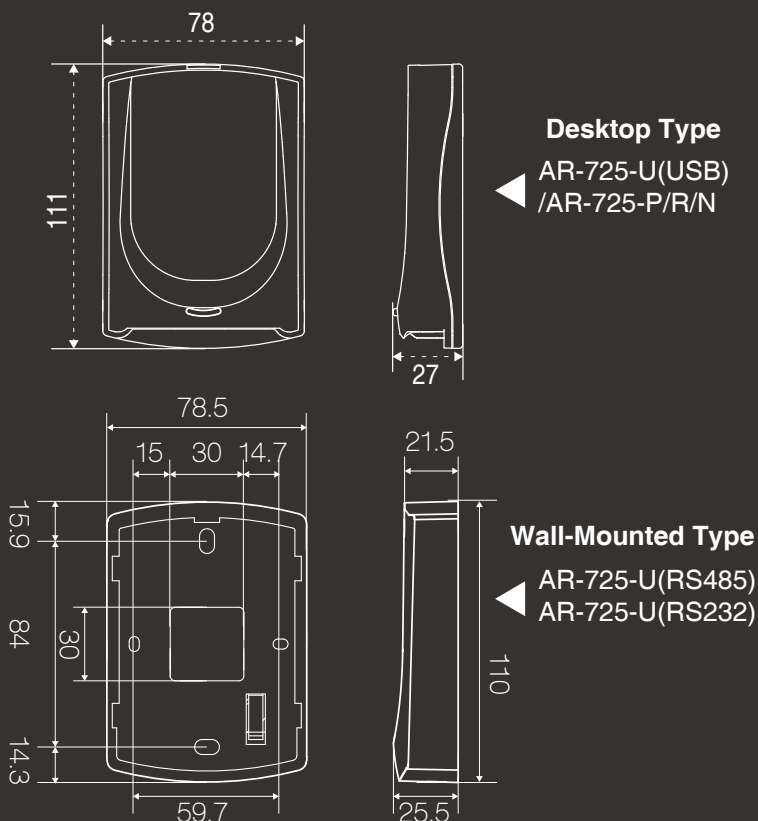
AR-725-R features

- USB-HID Plug&Play free of driver installation
- Suitable for 701Client quick card registration procedure (Support 701ClientSQL version 2019 May and after)

SPECIFICATION

Model no.	AR-725-U-USB AR-725-U-485/232	AR-725-P	AR-725-R	AR-725-N
Frequency	13.56Mhz ISO 14443/ISO 7816-4 Mifare Ultralight, Classic, DESFire EV1, NFC (card simulation)	13.56Mhz ISO14443A	125kHz +13.56MHz (Dual Band) EM Standard & ISO14443A	125kHz +13.56MHz (Dual Band) EM Standard & ISO14443A
Supported Tags	MIFARE Tag	MIFARE Tag	EM Tag,MIFARE / DESFire Tag	EM Tag,MIFARE / DESFire Tag /15693
RFID Reading Range	3-8 cm	1-3 cm	1-3 cm	1-3 cm
Communication interface	WG 24-34 / RS485 ABA-II / RS232(By Order)/ USB 2.0 Virtual COM Port(By Order)	USB 2.0 Virtual COM Port/ RS232(By Order)	USB-HID (Human Interface Device)	USB-HID (Human Interface Device)
Read / Write	Read Only	Read / Write	Read Only	Read Only
Indicator	LED	1 Bi-color LED	1 Bi-color LED	1 Bi-color LED
	Buzzer	1	1	1
Power Voltage	725U-USB : Power supplied via USB 5VDC 725U-485/232 :9-24VDC	Power supplied via USB 5VDC	Power supplied via USB 5VDC	Power supplied via USB 5VDC
Power Consumption	<0.5W	<0.5W	<0.5W	<0.5W
Housing Material	725U-USB:ABS 725U-485/232:PC	ABS	ABS	ABS
Color	725U-USB:Black 725U-485/232: Black, Gray, Silver, Pearl White	Black	Black	Black
Weight (g)	725U-USB : 90±10 725U-485/232 :150±10	90±10	90±10	90±10
Dimension (mm)	110(H)x79(W)x26(D)	110(H)x79(W)x26(D)	110(H)x79(W)x26(D)	110(H)x79(W)x26(D)
Environment	Operating Temperature : -20°C ~ +70°C	Storage Temperature : -40°C to +75°C	Operating Humidity : 0%~90%(non-condensing)	Storage Humidity : 0%~95%(non-condensing)

INSTALLATION(mm)



HOW TO ORDER

AR-725-XXXXNL1-X

Product

U= Access Reader
 P= Programmer
 R= Card Registration
 (701ClientSQL)
 N=Keyboard Simulation

Frequency

D= 13.56MHz
 S= Dual Band
 (125kHz+13.56MHz)

RTC

X= None

Supported Tags

15693= 15693
 (Only 725-N)

Type

1= Standard

Color

L= Black

Waterproof

N= None

Communication

1 = RS485

2 = RS232

8= USB

APPLICATION & STRUCTURE DIAGRAM

AR-725-U-USB




POS Machine Management
Support Serial Port Communication Read/Write

Full model no.	Communication	Interface	Frequency	Installation	Function Details
AR-725-UDX8NL1-USB AR-725-UDX1NL1-485 AR-725-UDX2NL1-232	USB COM Port Simulation Mifare Reader	USB / RS232 / RS485	13.56MHz	USB Driver	USB Mifare reader, used for transfer card UID only

AR-725-P




Support Standalone Stored-Value Deduction and Payment System
Choose value type of money, points, or time according to requirement, directly link to printer to print the real-time transaction receipt (this function required to be updated with special firmware)

Full model no.	Communication	Interface	Frequency	Installation	Function Details
AR-725-PDX8NL1	USB COM Port Simulation Mifare Programmer	USB	13.56MHz (Using for Encryption, Mifare only)	USB Driver	Mifare Encryption, for SOR (Soyal Open system Rules)

AR-725-R




Quick Register User Card with SOYAL 701Client Software
In 701 Client when configuring user's data, with USB Card Reader (AR-725-R) adding card number will be quicker, moreover it support EM (125kHz), Mifare, Desfire, and Ultra Light card format.

Full model no.	Communication	Interface	Frequency	Installation	Function Details
AR-725-RSX8NL1	HID (Human Interface Device) only for 701Client	USB	125kHz + 13.56MHz	Plug & Play	Quick RFID tags enrollment reader on 701Client software

AR-725-N




HID (Human Interface Device) Management / Machine Management
Quickly register card UID number in Text or Excel files.

Full model no.	Communication	Interface	Frequency	Installation	Function Details
AR-725-NSX8NL1	HID (Human Interface Device) Keyboard Simulation	USB	125kHz + 13.56MHz	Plug & Play	Keyboard simulation, quick RFID card enrollment in TXT and excel document

PERIPHERALS / ACCESSORIES

- Illuminate Series



Illuminated Backlight Controller / Access Reader
AR-725-E / AR-725-H / AR-725-K

- Power Supply



Power Supply
BP-W12-2000 (2A)
BP-W15-2400 (2.4A)
BP-W15-3000 (3A)

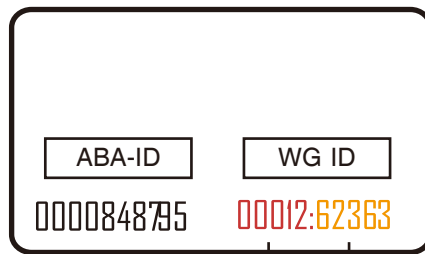
- Proximity Tags



Proximity Tags
125kHz: EM
13.56MHz: Mifare Classic, Mifare Desfire, UltraLight
Tags Selection: Thin Card, Round Keyfob, Square Keyfob

INPUT FORMAT OF CARD NUMBER

Model no.		AR-725-U-USB / AR-725-UD	AR-725-P	AR-725-R	AR-725-N
Read card number	Correct	●	●	●	●
	Reverse solution	●	●	●	●
	4 Bytes	●	●	●	●
	8 Bytes	●	●	●	●
Output format of Card Number	Hex	●	●	●	●
	Dec	●	●	●	●
	ABA 8	●	●	●	●
	ABA 10	●	●	●	●
	ABA 13	●	●	●	●
	WG 55	●	●	●	●
	ASCII	●	●	●	●



Card UID (__:xx)WG32(5:5) / u64(7~10:8) :
Site code, first 5 digit UID WG5:5 or HEX 4~7/64Bit

Card UID (xx:__)WG32(5:5) / u64(7~10:8) :
Card Code, last 5 digit UID WG5:5 or HEX 0~3/64Bit4Bit)

Support multi output such as WG, ABA, and HEX by adjusting the dip switch (AR-725-N)

Supported Hardware: Shipment March 28th, 2022 and after
Supported Firmware: 725NS_7V3 WG55_ABA_HEX 220316 .ISP

SW1	SW2	Format
OFF	OFF	※ 10 digit ABA · Example:0000123456
OFF	ON	ABA omitted the first digit with 0 · Example:123456
ON	OFF	HEX (8 digit)
ON	ON	Wiegand (WG5:5)

※ Default value

- Dip Switch Position:



Please use screwdriver to open the back housing and adjust the dip switch