

USB-HID Dual-Band Reader

(Support NFC/Keyboard Simulation)

AR-725-N

Auto input tag UID in Excel or TXT document



- USB-HID Plug&Play free of driver installation
- Support WIN XP, WIN 7, WIN10



USB



Quickly Read
Card Number



Support
NFC



LED indicator

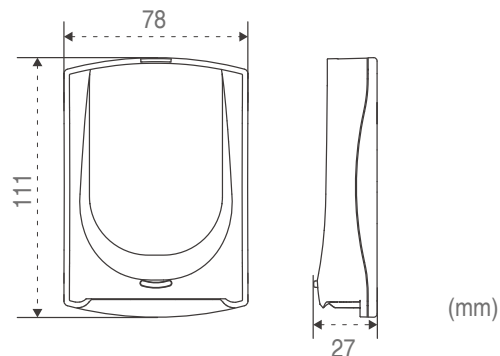
USB-HID Dual-Band Reader

(Support NFC/Keyboard Simulation)

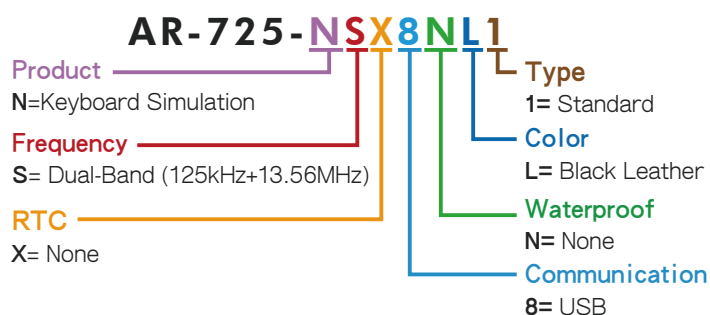
Specifications AR-725-N

| | |
|-------------------------|------------------------------|
| Frequency | 125kHz +13.56MHz (Dual Band) |
| Standard | EM Standard & ISO14443A |
| Supported Tag | EM Tag, MIFARE / DESFire Tag |
| Communication Interface | USB 2.0 HID (Plug N Play) |
| Reading Range | 1-3 cm |
| Read / Write | Read |
| Watchdog function | Yes |
| Power Consumption | <0.75W |
| Power Supply | 5VDC |
| Indicator | 2 Bi-color LED / 1 Beeper |
| Housing Material | ABS (Soft Touch Finish) |
| Dimension(mm) | 110(H)x79(W)x26(D) |
| Net Weight (g) | 230±10 |
| Operating Temperature | -20°C to +70°C |

Dimension



How To Order



Features



USB HID: Driver free, just Plug and Play

USB-HID Dual-Band Reader (AR-725-N) support just Plug and Play, the simplest way to operate, no installation or driver needed.

Support WIN XP, WIN 7, WIN10

Support most of operating system in the market, increase users' convenient.



Support NFC

NFC communication device, contactless point-to-point data transmission

Quick Start

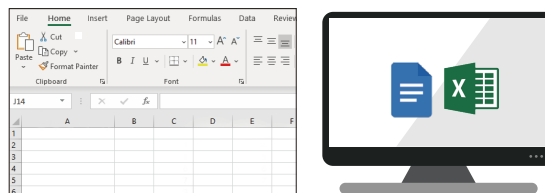
STEP 1

Plug in USB Card Reader (AR-725-N) into the USB port of your PC



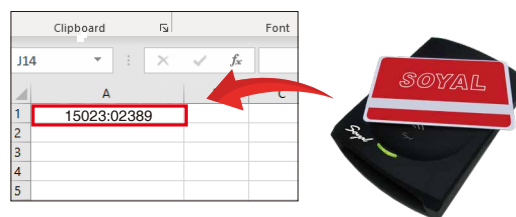
STEP 2

Run Txt or Excel file



STEP 3

Put the card to the reader and it will automatically input the card UID



SOYAL
ACCESS & INDUSTRIAL CONTROL

www.soyal.com | RoHS Compliant | ISO 9001 | CE | V210719

The Contact info. of Authorized Distributor