

# AR-725-P

## MIFARE Card Programmer



————— **Safety** Makes Everything Better. —————

- Allows controlling via PC software
- Supports SOYAL Open System Rules (SOR)
- Easily integrates with any customized software
- Supports auto error checking and backup/restore functions



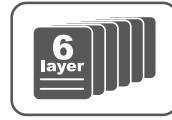
# AR-725-P

## MIFARE Card Programmer

### Specification

Frequency	13.56MHz
Standard	<ul style="list-style-type: none"> <li>·ISO14443A</li> <li>(Option)</li> <li>·ISO15693</li> <li>·DESFire</li> <li>·NFC</li> </ul>
Power Supply	5VDC
Power consumption	<1.5W
Communication Interface	USB 2.0 Virtual COM port
Operating Temperature	-20 °C to +65 °C
Supported Targe	MF1
Indicator	1Bi-LED & 1Beeper
Housing Material	ABS
Color	Black (Softtouch paint finish)
Dimensions (mm)	110(L)X79(W)X26(H)
Weight(g)	230±10
SOR Patent Number	I 365414 ( Taiwan )

### SOR Advantages



**6-layer managing structures**  
The cards built-in agent code issuance (Up to 6 sub-layers) via SOR Programmer.



**User ID assignable**  
Specify MIFARE random card numbers into sequential numbers and make the user-friendly management.



**Expiration setup**  
You can set up Validity in MIFARE card by SOR.



**Global access control**  
One card issuance by SOR programmer could be passed in other branch you specified.

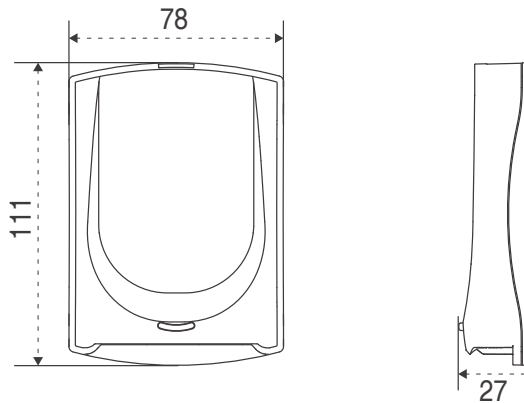


**Built-in command within cards**  
Capacity to set up stand-alone device by the cards built-in commands.



**Deposit**  
Easy develop the E-commercial application.

### Dimensions (mm)



#### Access Control Encryption



#### Stored-Value & Consumption Encryption



#### Room Control Encryption



Card Encryption → → → → → → → → →