

Installation

AR-888-PBI-S: Touchless Infrared Button

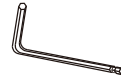
- ① Product (US/EU)
- ② Terminal Cables
- ③ Tools
- ④ Easy Install Kit (By Order)



Bottom Cover



Flat Head Hex Socket Screw: M3x8

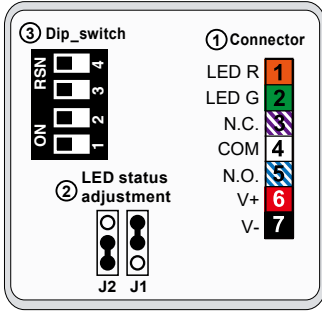


Allen key (2MM / 48*15MM)

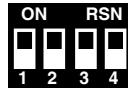


MPLA-888XA18/19 (US / EU)

Connector Table / Dip_switch



② Dip Switch Setting



※Default Value

Output Format			
No.	SW1	SW2	Description
※ 1	OFF	OFF	No Delay
2	OFF	ON	Delay 3 Seconds
3	ON	OFF	Delay 6 Seconds
4	ON	ON	Toggle Mode

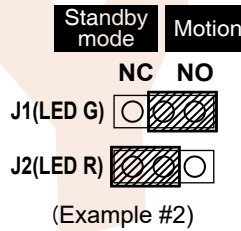
Sensing Distance Adjustment			
No.	SW3	SW4	Description
※ 1	OFF	OFF	1: Max. range 10cm
2	OFF	ON	2: Medium range
3	ON	OFF	3: Short range
4	ON	ON	4: Min. range 2cm

① CN1 Connector:

Function	Cable	Color	Description
LED R(Optional)	1	Orange	Red LED negative
LED G(Optional)	2	Green	Green LED negative
Relay	N.C.	Purple White	DC24V / 1A
	COM	White	DC24V / 1A
	N.O.	Blue White	DC24V / 1A
Power	6	Red	DC 9-24V
	7	Black	DC 0V

Controller has built-in resistor and connected to +5VDC, external power supply current must be exceeding 20mA

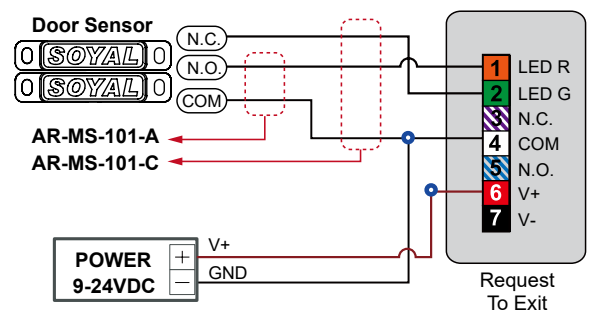
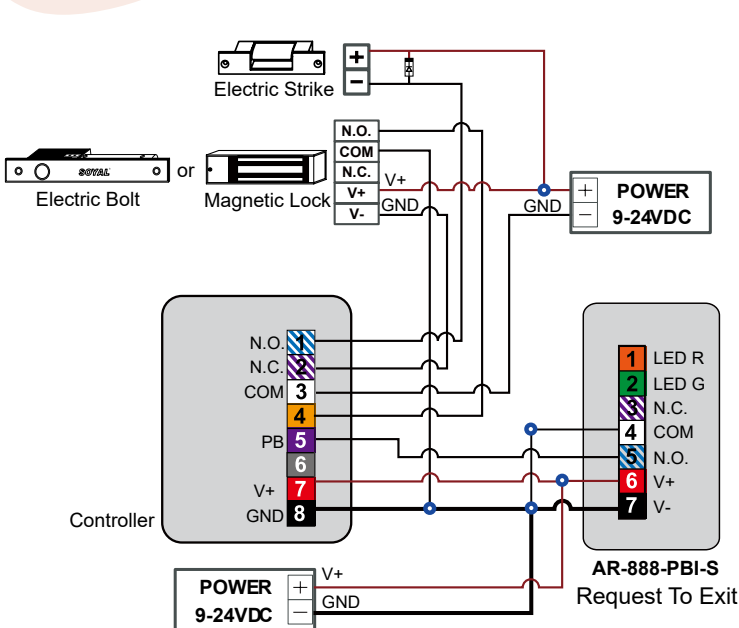
③ LED status adjustment



※Default Value

	Standby mode	Motion
1	LED G(Green)	LED R(RED)
※2	LED R(RED)	LED G(Green)
3	LED GR (Green/RED)	--
4	--	LED GR (Green/RED))

Wiring Diagrams

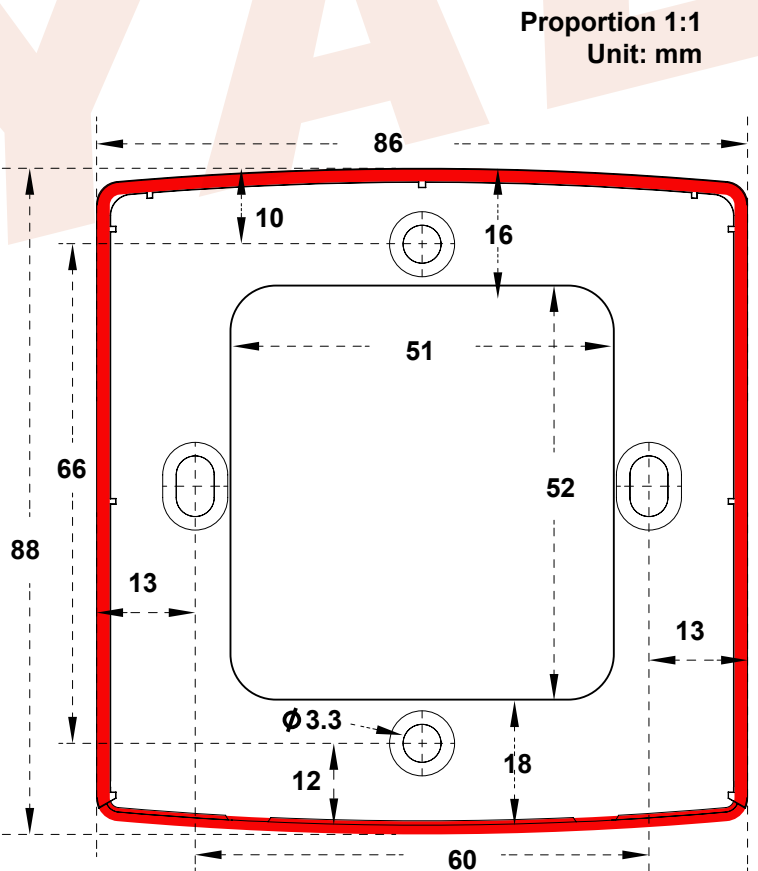
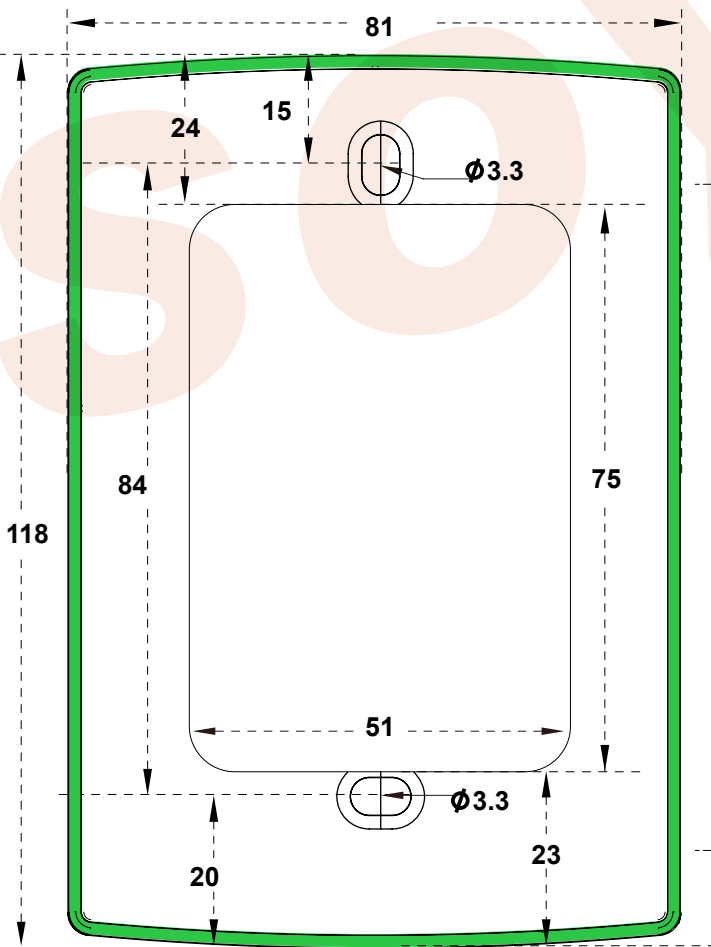
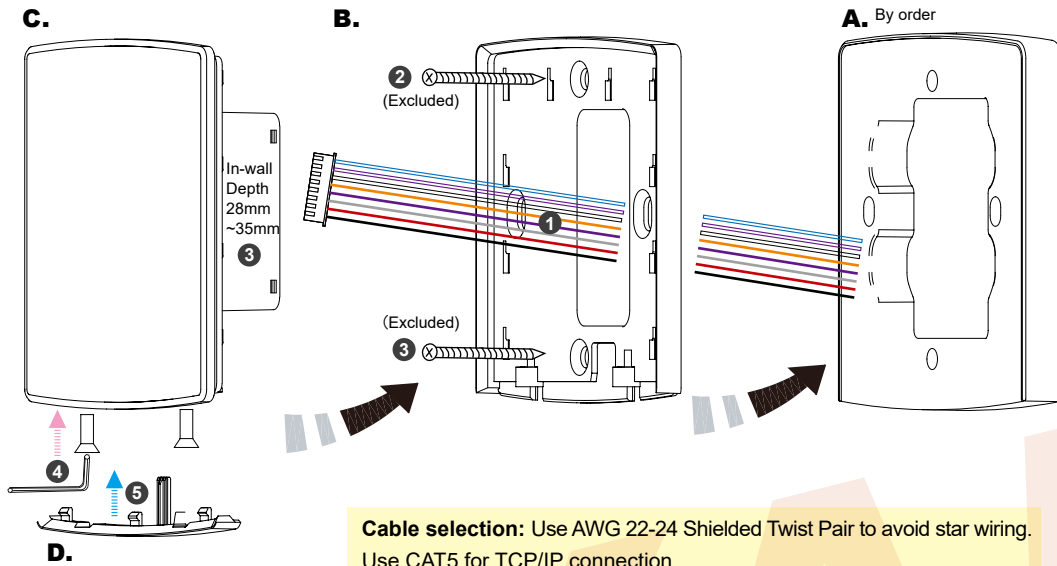


* The Wiring Diagram of LED R/G Door Status Indication

Type A	The magnetic circuit will be turned on when getting closed to the switch. (closed circuit). The magnetic circuit will be turned off after removed the magnet. (open circuit) Double contact - NO. / COM
Type C	Trigger LED R when door open Trigger LED G when door closed Triple contact - NO. / NC. / COM

Installation

- Pull the cables from the square holes of the eva foam gasket and mounting plate.
- Use a screwdriver to screw the mounting plate **B** onto the wall with Flat Head Cap Philips Tapping Screws (Excluded, the Installer should prepare before installation).
- Connect the cables to the backside of body **C** and attach **C** to **B** at lower position of **B**. Push **C** up to make the cogging hooked completely.
- Use the Allen key and screws to assemble the body **C** onto the mounting plate **B**. Attach the Back Cover **D** to **C**.



- US Mounting Hole: 73x48x40mm(HxWxD)
- Screw hole pitch : 84mm
- Suitable for 70X118 1-module flush-mounting box.
(Australian, Italy, USA(501E) Standard)

- EU Mounting Hole: 57x53x40mm(HxWxD)
- Screw hole pitch : 60mm
- Suitable for 86X86 flush-mounting box.
(UK, Continental Europe, Germany Standard)