

Content

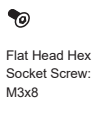
1 Product



2 Terminal Cables



Bottom Cover



4 Optional Easy Install Kit (By Order)



MPLA-888XA18/19 (US / EU)

Feature

- Support both 125kHz and 13.56MHz dual frequency RFID
- Scan QR Code to easily open the door!
- Support Date Limit or Frequency limit of QR Code access, with higher security!
- Scan QR Code image on smartphones or printed on paper, with E Series controller to quickly scan QR Code
- It is convenient for you to obtain the permission of access control, not only able to scan QR Code, but also supports EM and Mifare cards.
- It is suitable for places that require the use of regular and short-term access, such as visitor systems, temporary building permit, dormitory, suite management, and etc.

Specification

Supported QRCode Format

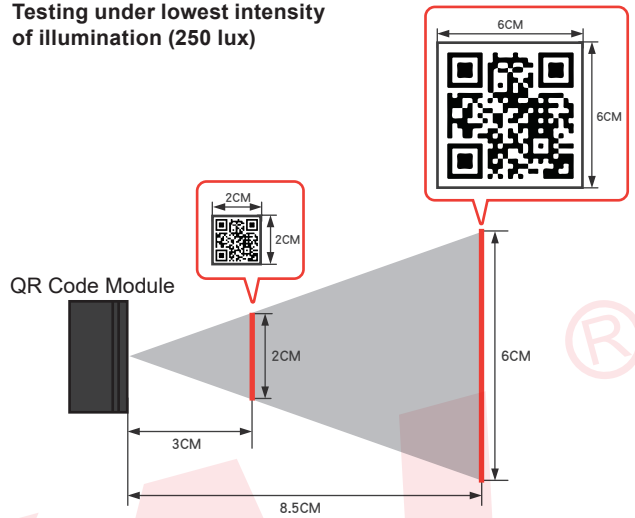
(The standard firmware supports QR Code format as below and other QR Code format can be supported by customized firmware.)

- QRCo08A12345678
- QRCo10A1234567890
- QRCo14A12345678901234
- QRCo55W123456789
- QRCo08H33CDAB88
- QRCo16H001122334455667788

Type of Bar Code	Density	Min. distance	Max. distance
Code 39	0.125 mm (5 mils)	4.0 cm	9.0 cm
	0.375 mm (15 mils)	4.0 cm	25.0 cm
UPC/EAN	0.375 mm (15 mils)	4.0 cm	25.0 cm
Code93	0.254 mm (10 mils)	4.0 cm	21.0 cm

QR Code Scan Area

Testing under lowest intensity of illumination (250 lux)



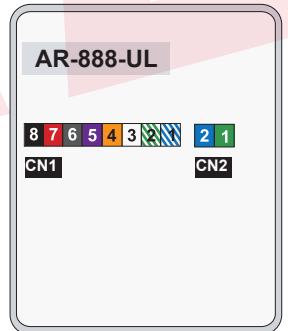
Connector Table

CN1 8PIN Cable

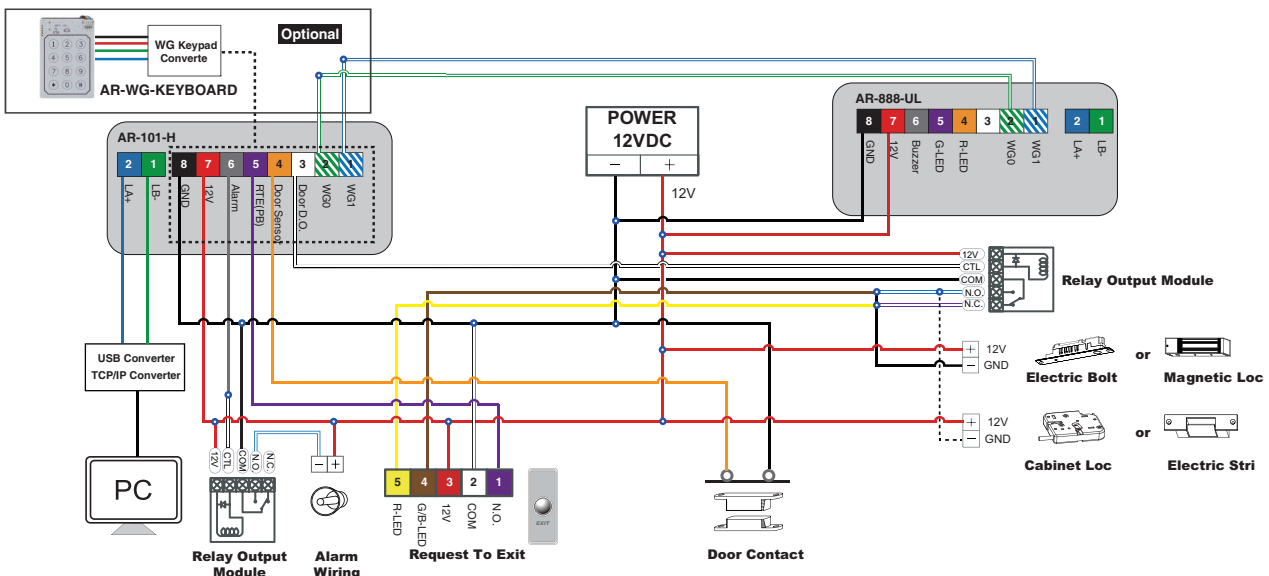
Function	Dip-switch		Wire	Color	Description			
	SW1	SW2						
ABA13	ON	ON	CN1 Main					
WG26	ON	OFF						
ABA10	OFF	ON						
WG34	OFF	OFF						
WG Output						1	Blue White	WG DATA 1 Output
						2	Green White	WG DATA 0 Output
Card Present						3	White	Card Present (Low output)
LED						4	Orange	LED Red Input (Input Low)
			5	Purple	LED Green Input (Input Low)			
Buzzer			6	Gray	Transistor Output Max. 12V/100mA (Open Collector Active Low)			
Power			7	Thick Red	DC 12V			
			8	Thick Black	DC 0V			

CN2 2PIN Cable

Function	Wire	Color	Description
RS-485 Port	1	Thick Green	RS-485(B-)
	2	Thick Blue	RS-485(A+)

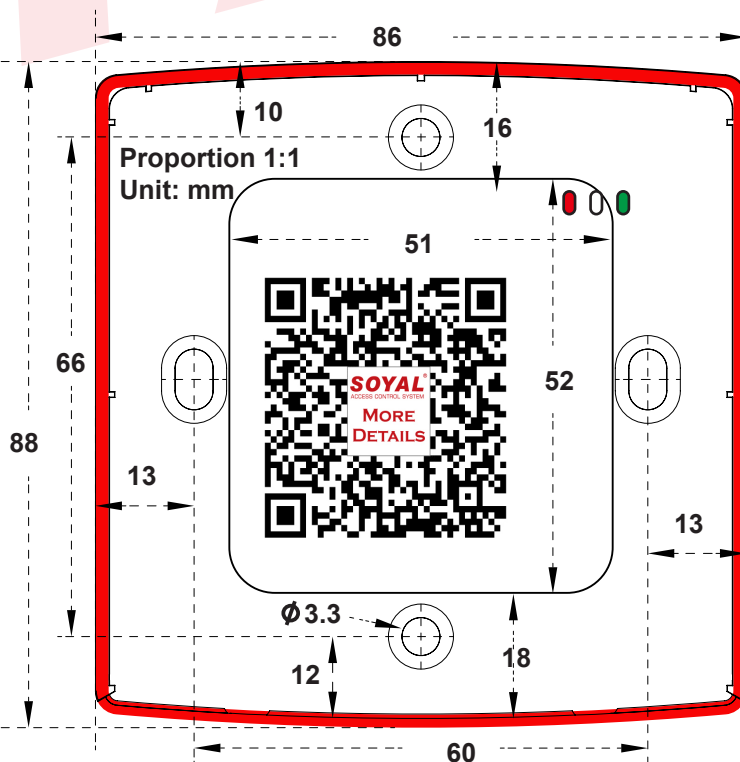
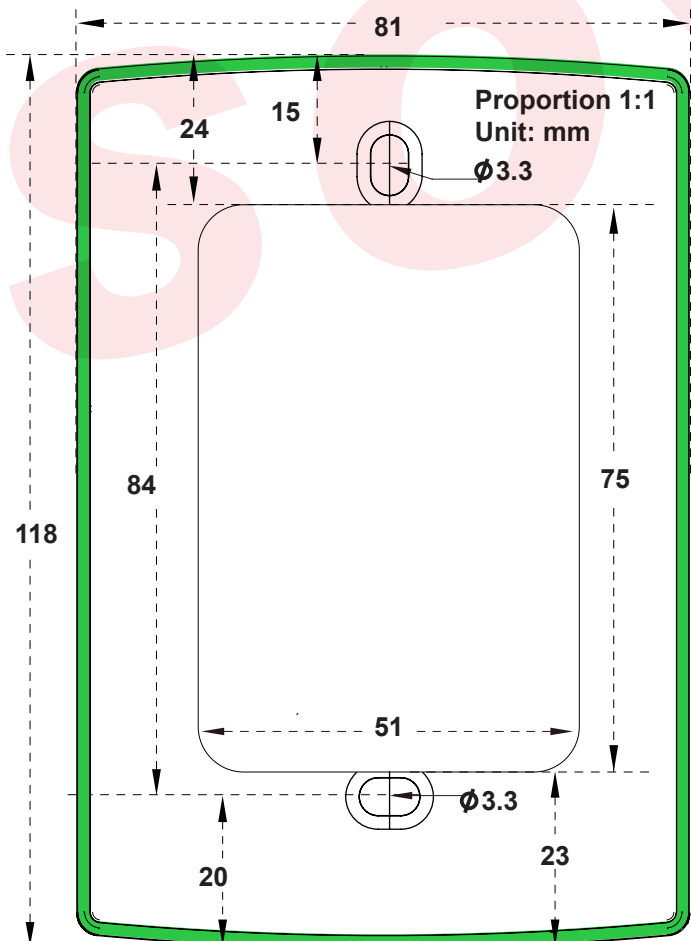
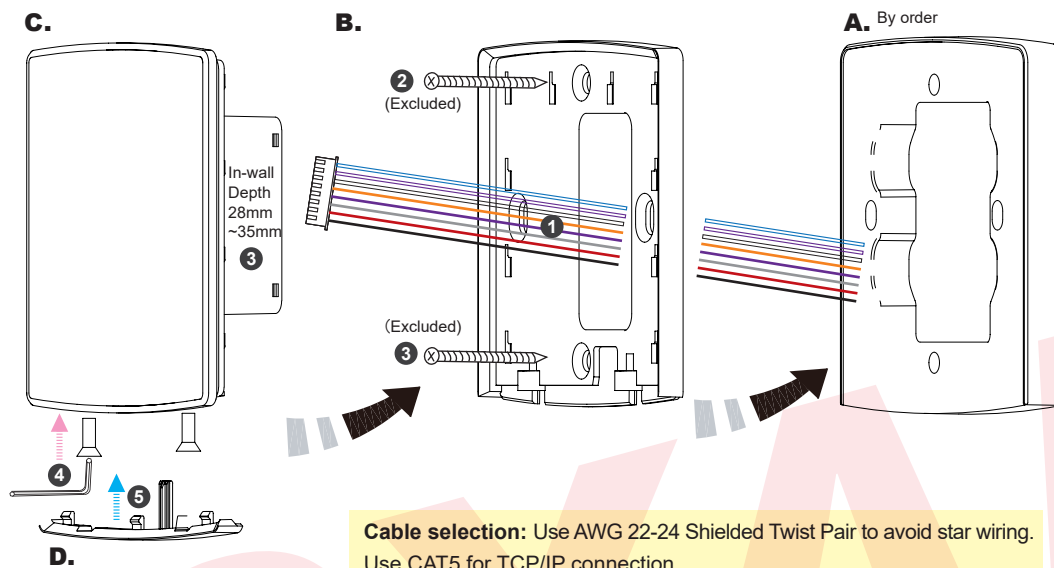


Diagram



Installation

- Pull the cables from the square holes of the eva foam gasket and mounting plate.
- Use a screwdriver to screw the mounting plate **B** onto the wall with Flat Head Cap Philips Tapping Screws (Excluded, the Installer should prepare before installation).
- Connect the cables to the backside of body **C** and attach **C** to **B** at lower position of **B**. Push **C** up to make the cogging hooked completely.
- Use the Allen key and screws to assemble the body **C** onto the mounting plate **B**. Attach the Back Cover **D** to **C**.
- **Hands-off and clear any objects around the 888 Series.** Turn on the power and LED will light-up and beep will sound. Wait the Touch IC start for 10 sec. to operate.

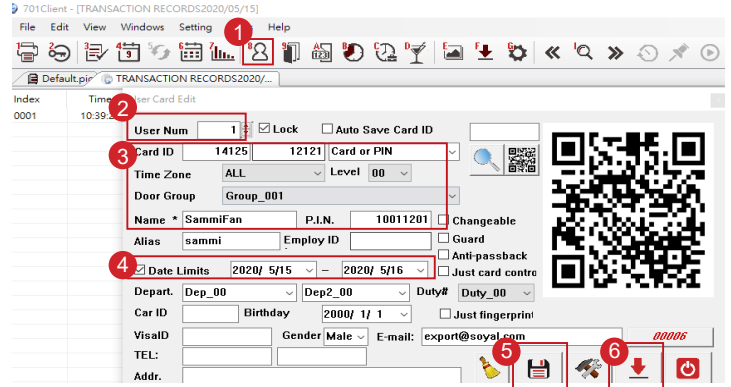


Setting Process of Generating / Receiving QR Code

Generate QR Code on 701 Client software

- **Configure Email Server data on "User level Menu"**

- Step.1** Click "8 User Cards Edit"
- Step.2** Select User Number one,
- Step.3** Fill in Card ID ,Select the specific Door Group , Fill in "User Name"
- Step.4** Assign the date limits, enter start date, enter expired date
- Step.5** Click Save button. The new QR code badge is generated.
- Step.6** Click " download" button to download the user data to Controller.



Receiving QR Code ways

- **Save QR Code Image to the folder**

When clicking the button whether or not you configure Email, QR code image will be saved to the path of C:\Program Files (x86)\701Client\PopGra with the filed name QRCodeXXXX.jpg (XXXX mean User Address)

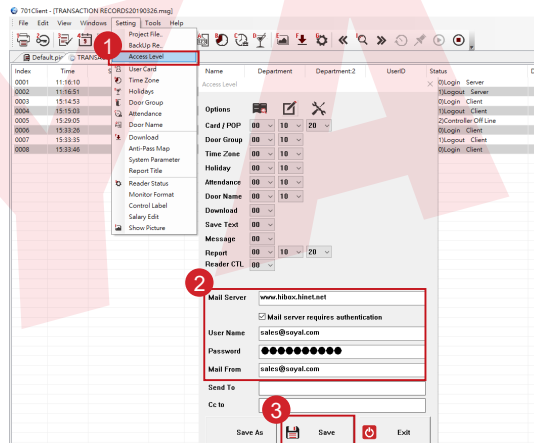


- **Send out QR Code via Email**

1. Configure Email Server data on "User level Menu"

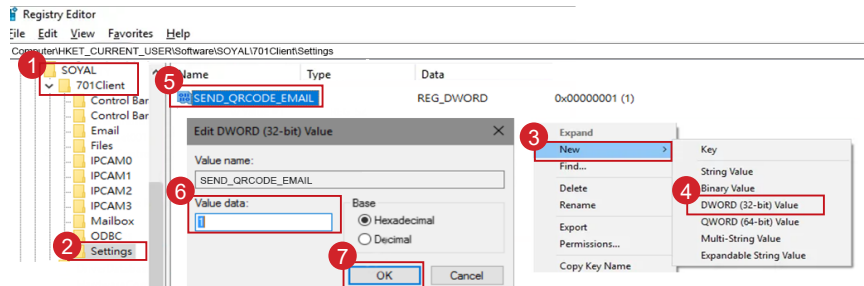
- Step.1** Click " Access Level "
- Step.2** Setting Mail Server ,User Name (Email Username), Password (Email Password) ,Mail From (Email Address)
- Step.3** Save after sending

***Note:** The personal email such as Gmail / Hotmail that don't support E-mail Server setting don't support the function of sending our QR Code on 701Client Software



2. Enter to "Registry Editor" to configure Email Value

Add "SEND_QRCODE_EMAIL" under Settings/701Client/SOYAL,and Set its value to 1



3. Fill in the assigned E-mail address; after click the button, QR Code image will be sent to the assigned E-mail address.

- Step.1** Fill the E-mail address that needs to receive the QR Code.
- Step.2** Finally Click the QR Code Button,then the QR Code image will be sent to the assigned E-mail address,and also save to the image file under the path of C:\Program Files (x86)\701Client\PopGra.

