

# Installation Guide for AC-1000RF/SA/SF V2.1



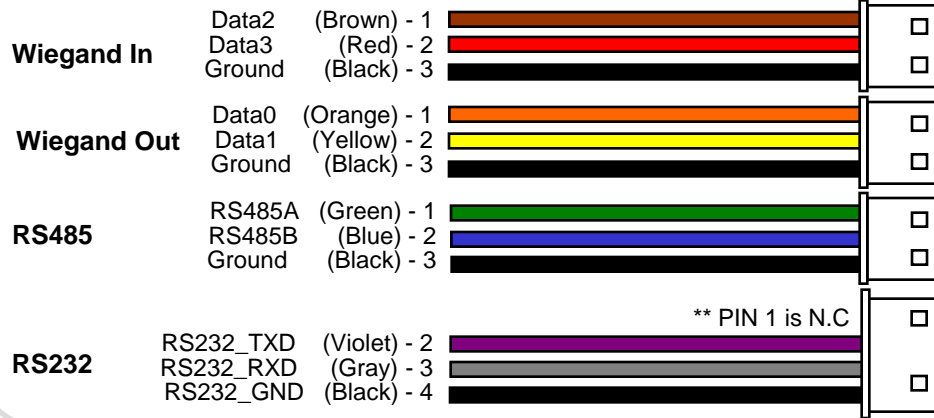
*Version Eng1.11*

*Aug.,21.2014*

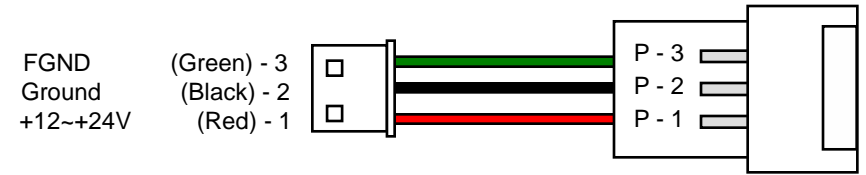
***Union Community Co., Ltd.***

## 1. External Connectors

### Wiegand, RS232 & RS485 Interface



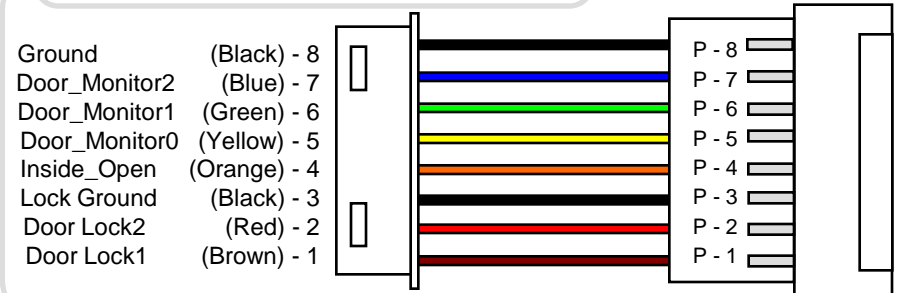
### DC Power Input Interface



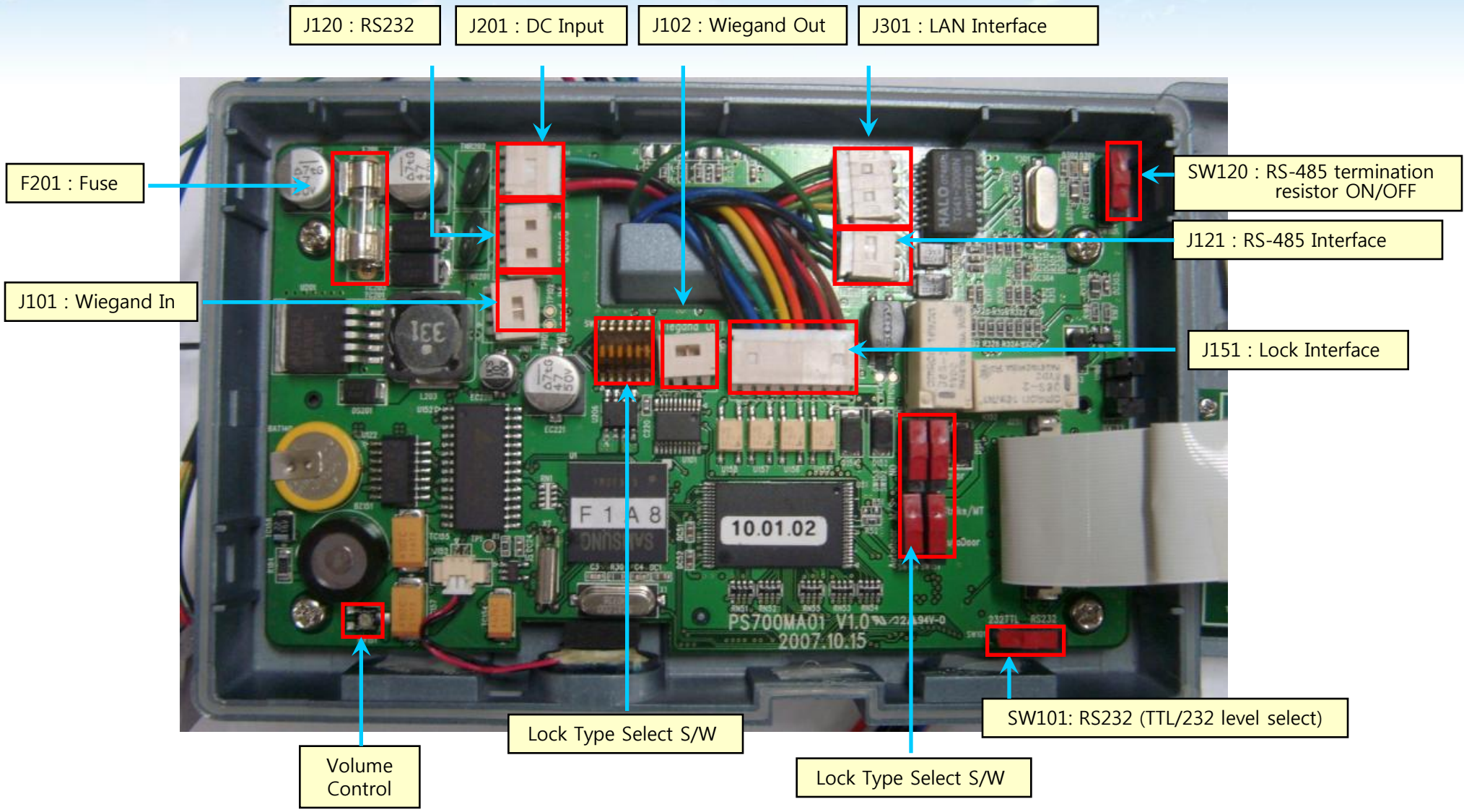
### TCP/IP Network Interface (RJ45)



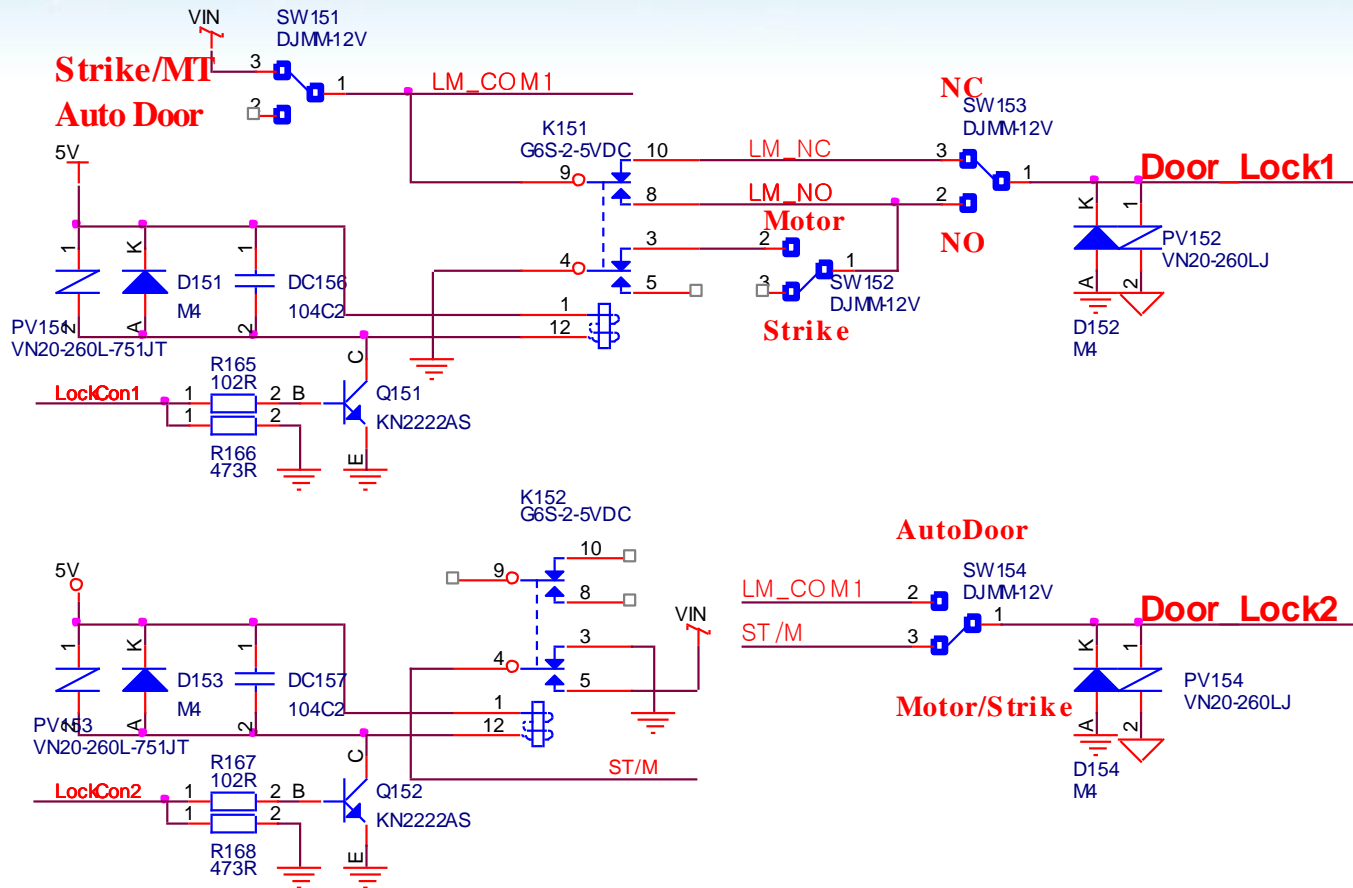
### Door Lock & Status Input Interface



## 2. Main board feature



### 3. Schematic for Door Lock Interface



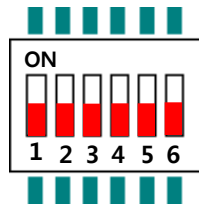


# 4. Connecting Dead-Bolt Type Door Lock ( Fail Safe )

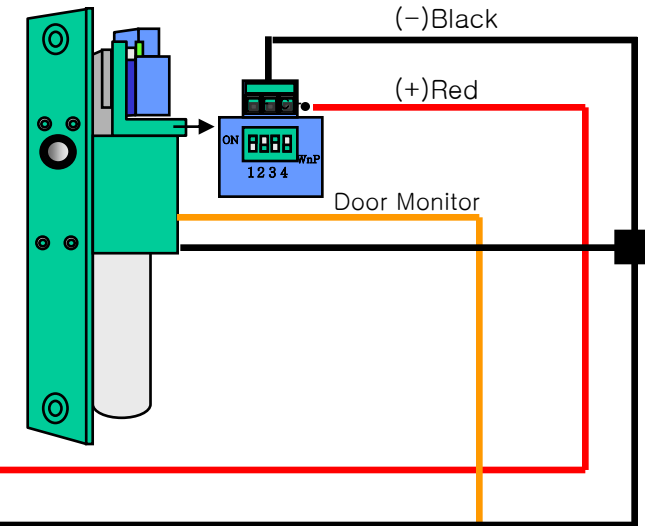
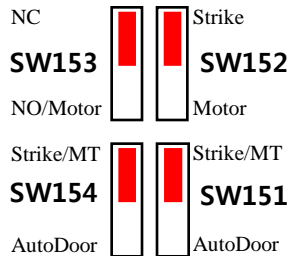
## 4. 1. Connect with one system & one lock

### ◆ Lock Type Select Switch

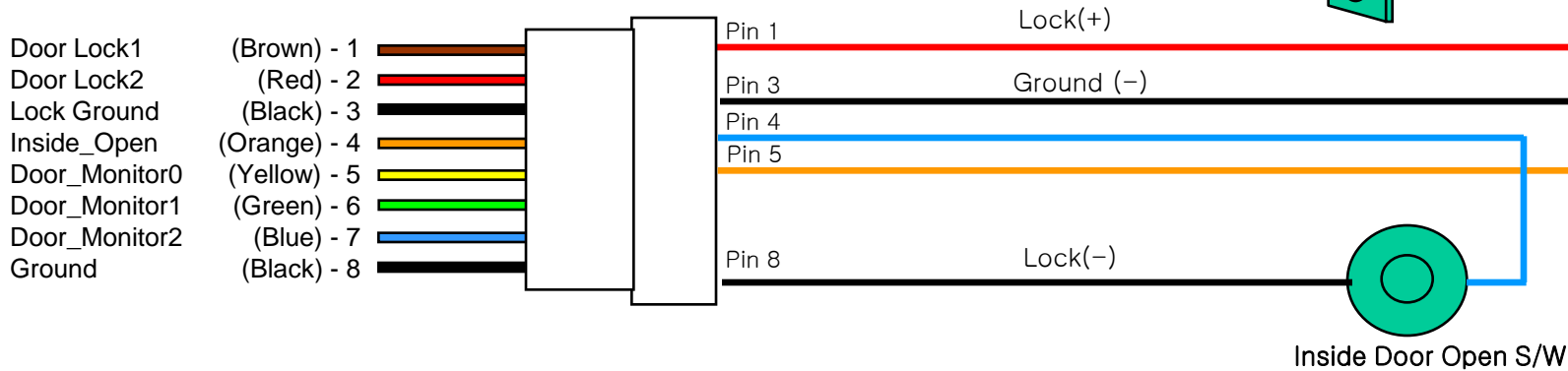
1) SW2



2) SW151~SW154



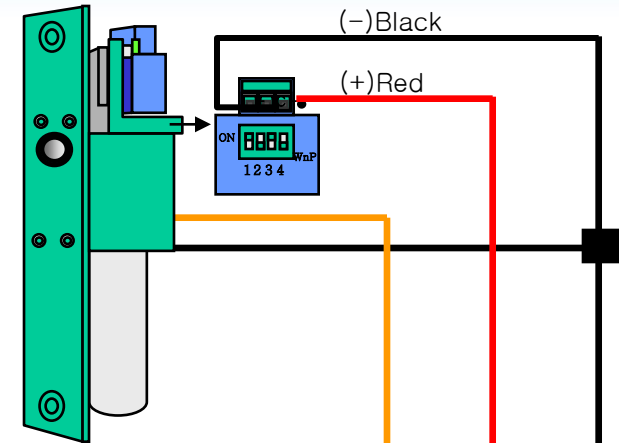
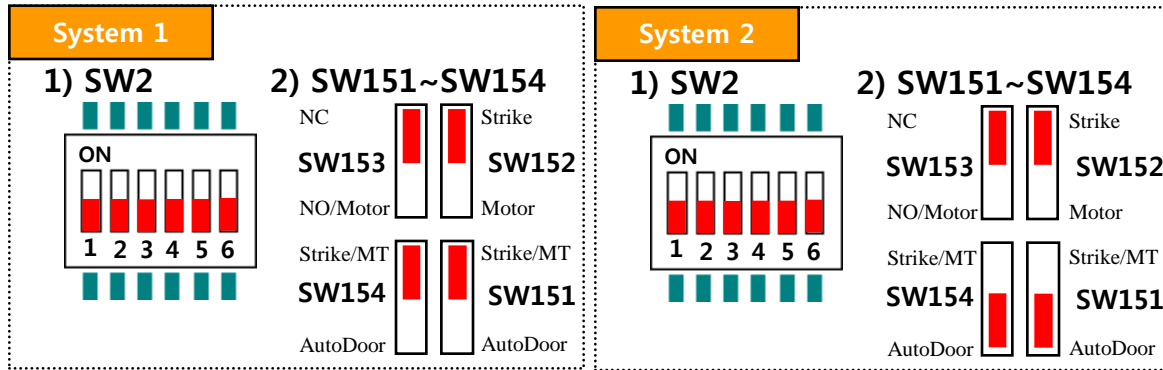
### ◆ Wiring diagram



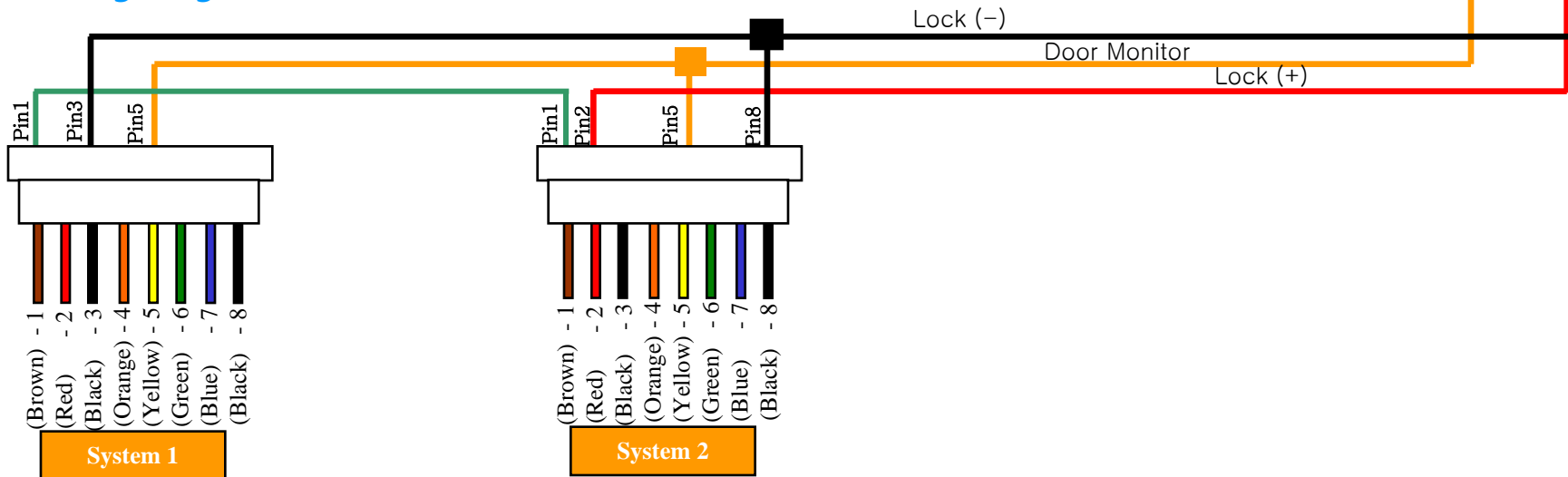
# 4. Connecting Dead-Bolt Type Door Lock ( Fail Safe )

## 4. 2. Connect with two system & one lock

### ◆ Lock Type Select Switch



### ◆ Wiring diagram

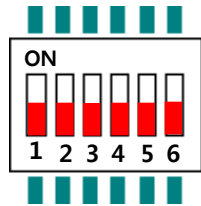


# 5. Connecting Strike Type Door Lock ( Fail Safe )

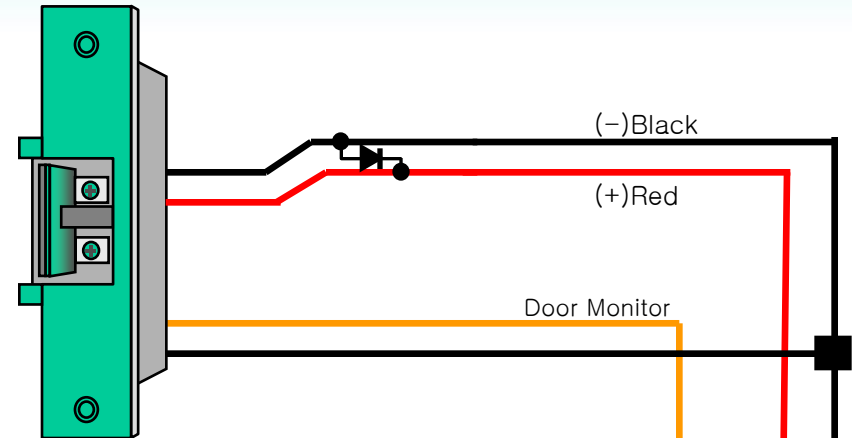
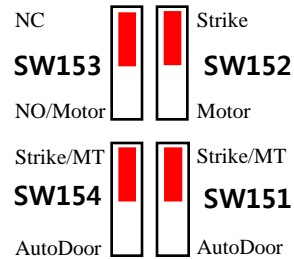
## 5. 1. Connect with one system & one lock

### ◆ Lock Type Select Switch

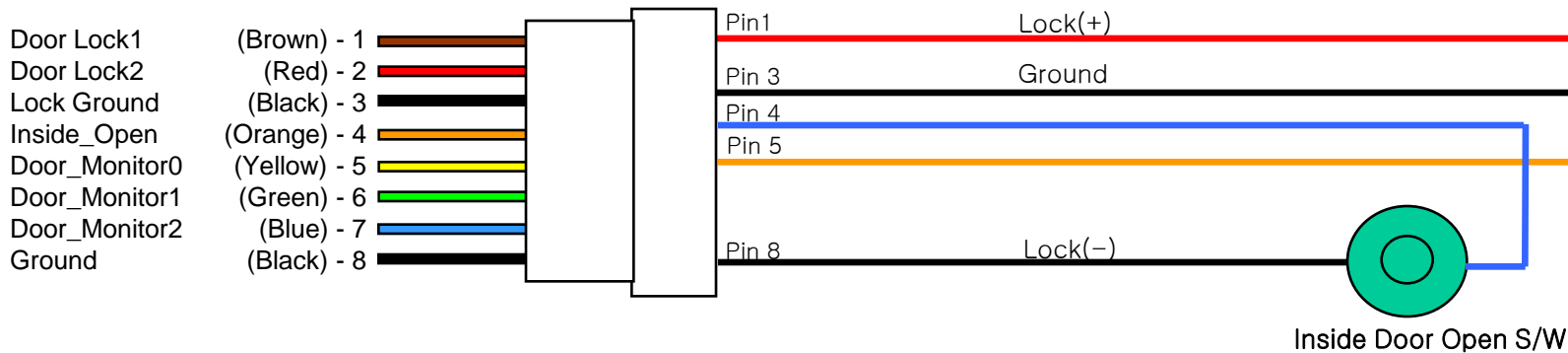
1) SW2



2) SW151~SW154



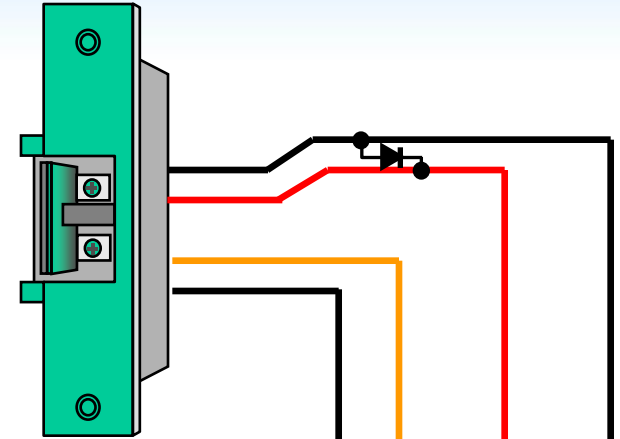
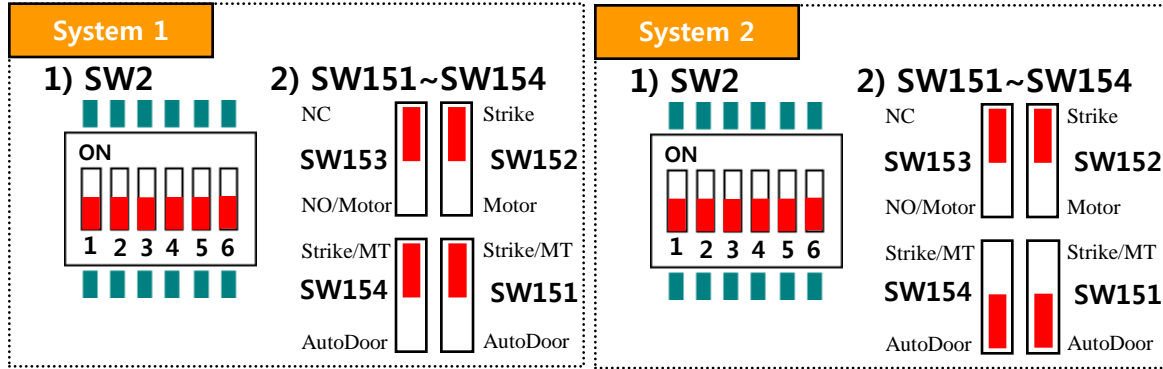
### ◆ Wiring diagram



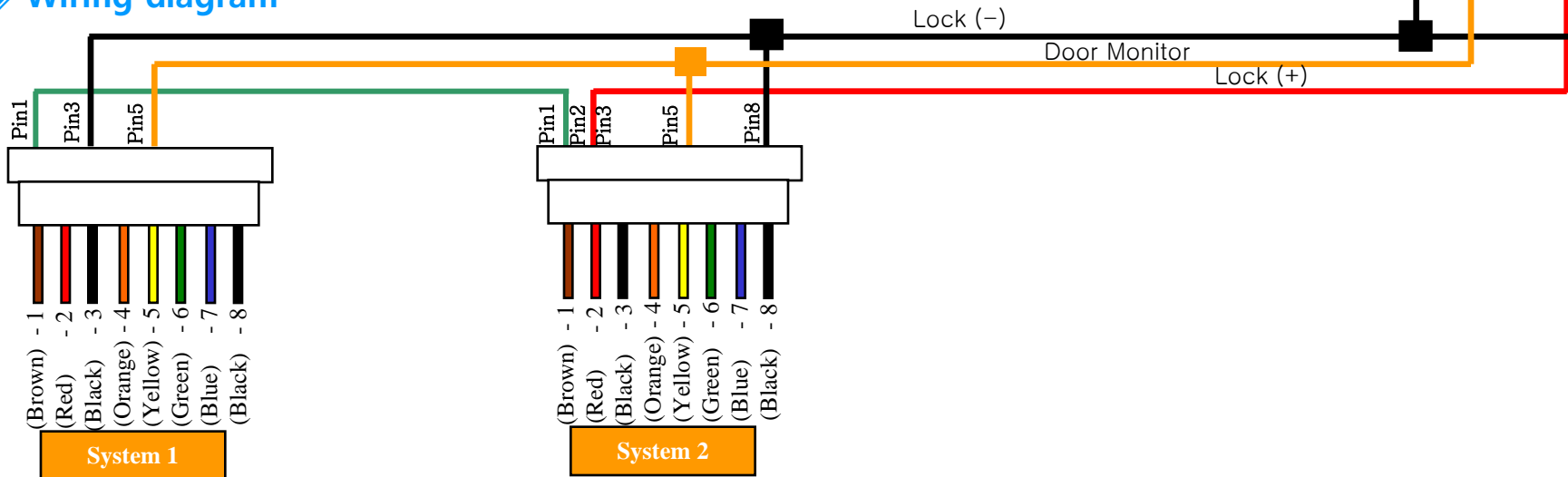
# 5. Connecting Strike Type Door Lock ( Fail Safe )

## 5. 2. Connect with two system & one lock

### ◆ Lock Type Select Switch



### ◆ Wiring diagram



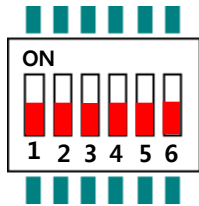


## 6. Connecting Strike Type Door Lock ( Fail Secure )

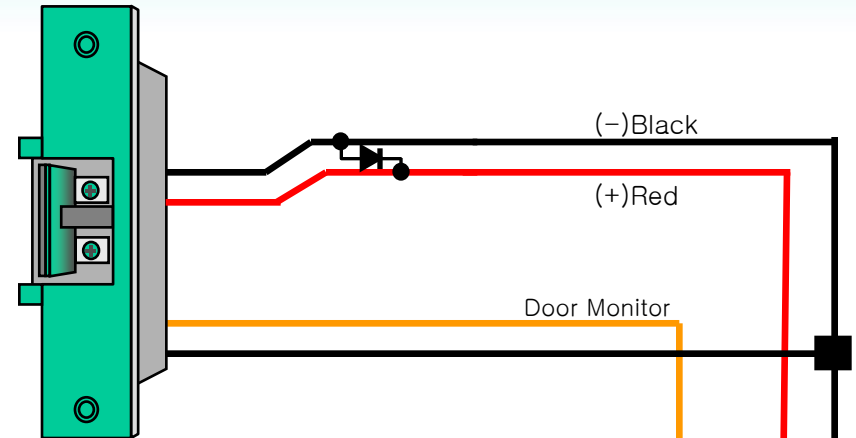
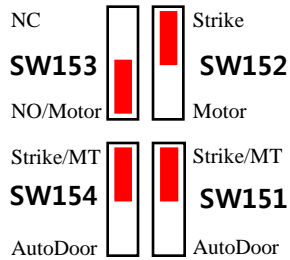
### 6. 1. Connect with one system & one lock

#### ◆ Lock Type Select Switch

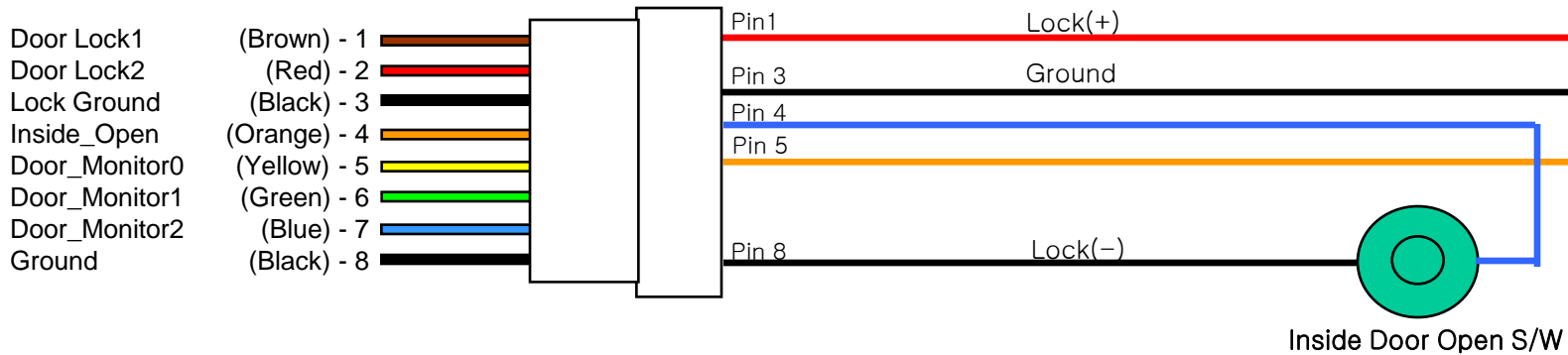
1) SW2



2) SW151~SW154



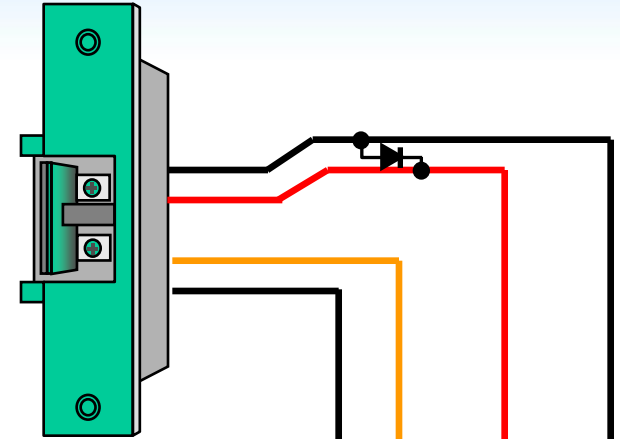
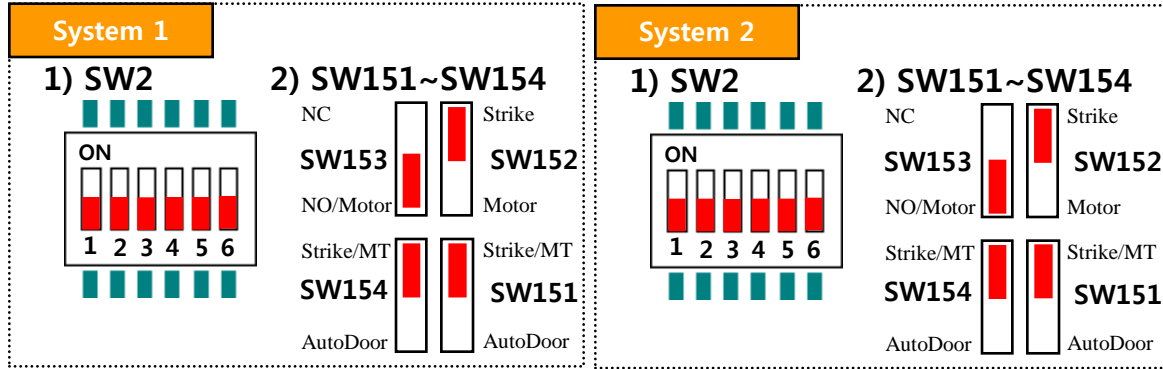
#### ◆ Wiring diagram



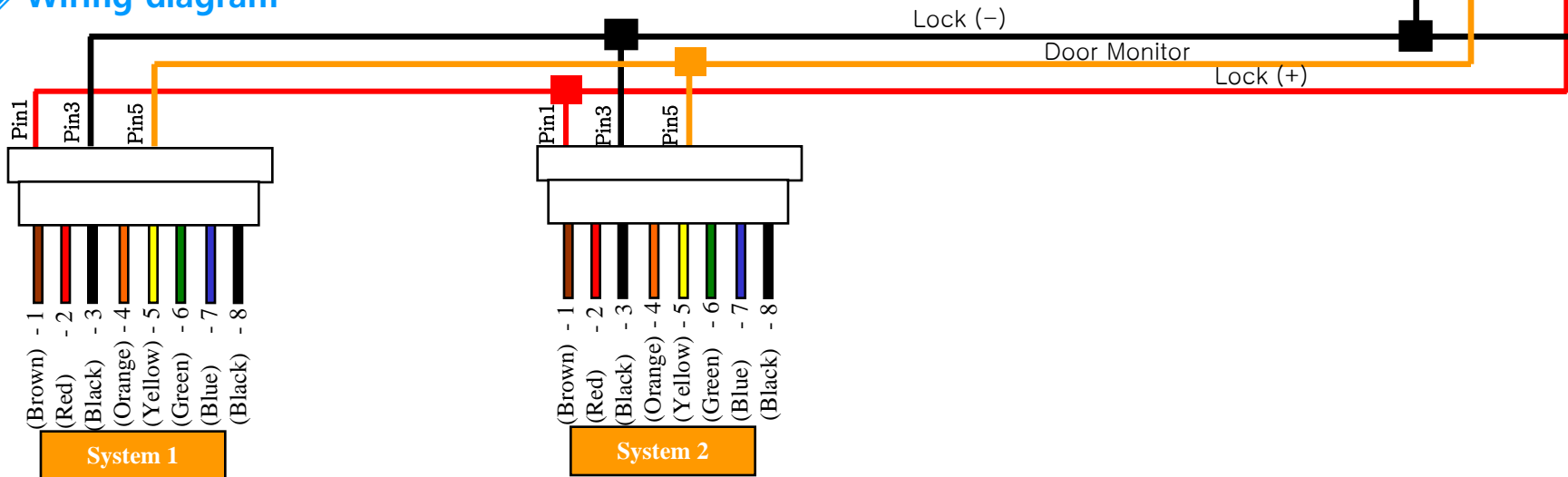
## 6. Connecting Strike Type Door Lock ( Fail Secure )

### 6. 2. Connect with two system & one lock

#### ◆ Lock Type Select Switch



#### ◆ Wiring diagram

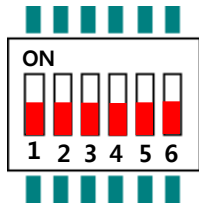


# 7. Connecting EM Type Door Lock ( Fail Safe )

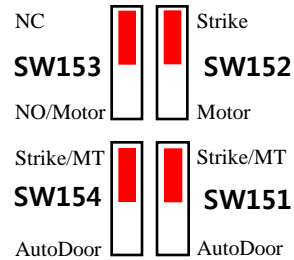
## 7. 1. Connect with one system & one lock

### ◆ Lock Type Select Switch

1) SW2

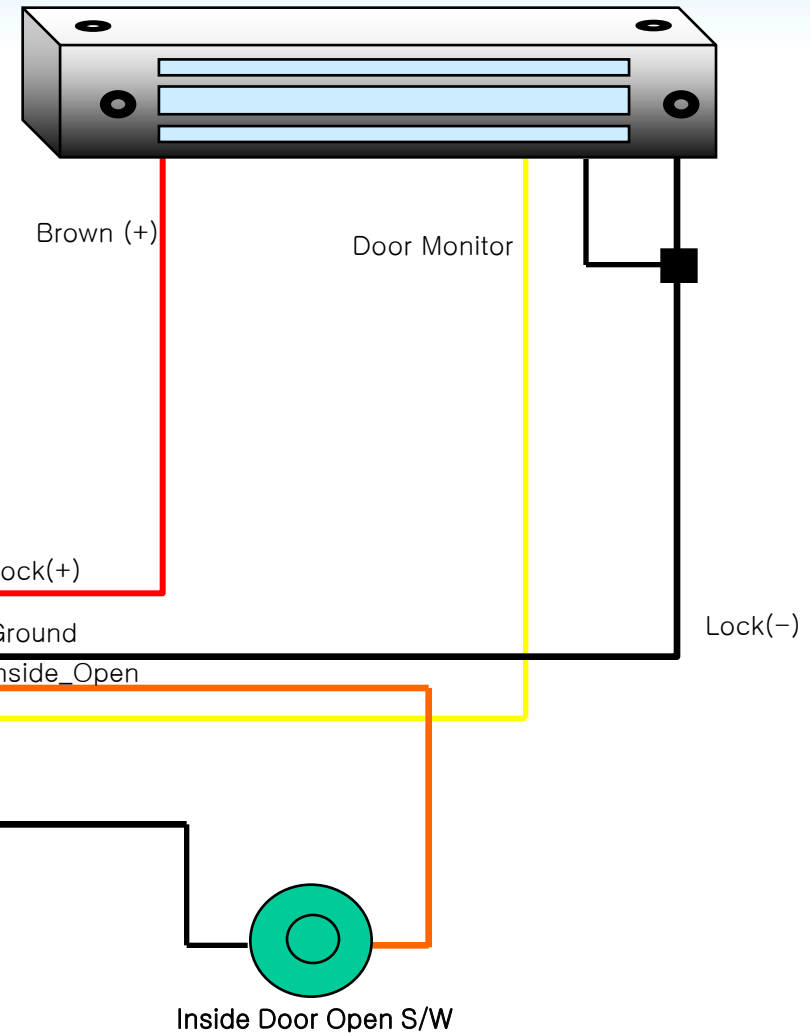
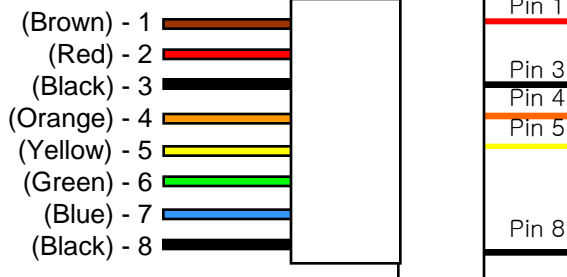


2) SW151~SW154



### ◆ Wiring diagram

- Door Lock1
- Door Lock2
- Lock Ground
- Inside\_Open
- Door\_Monitor0
- Door\_Monitor1
- Door\_Monitor2
- Ground

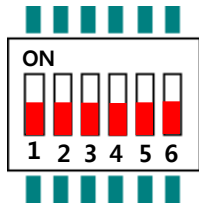


# 7. Connecting EM Type Door Lock ( Fail Safe )

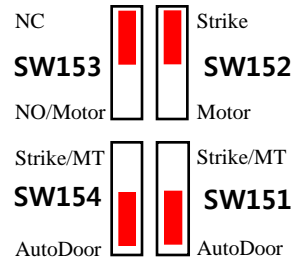
7. 2. Connect with one system & two lock  
 \*\* Use external DC Power Adapter

## ◆ Lock Type Select Switch

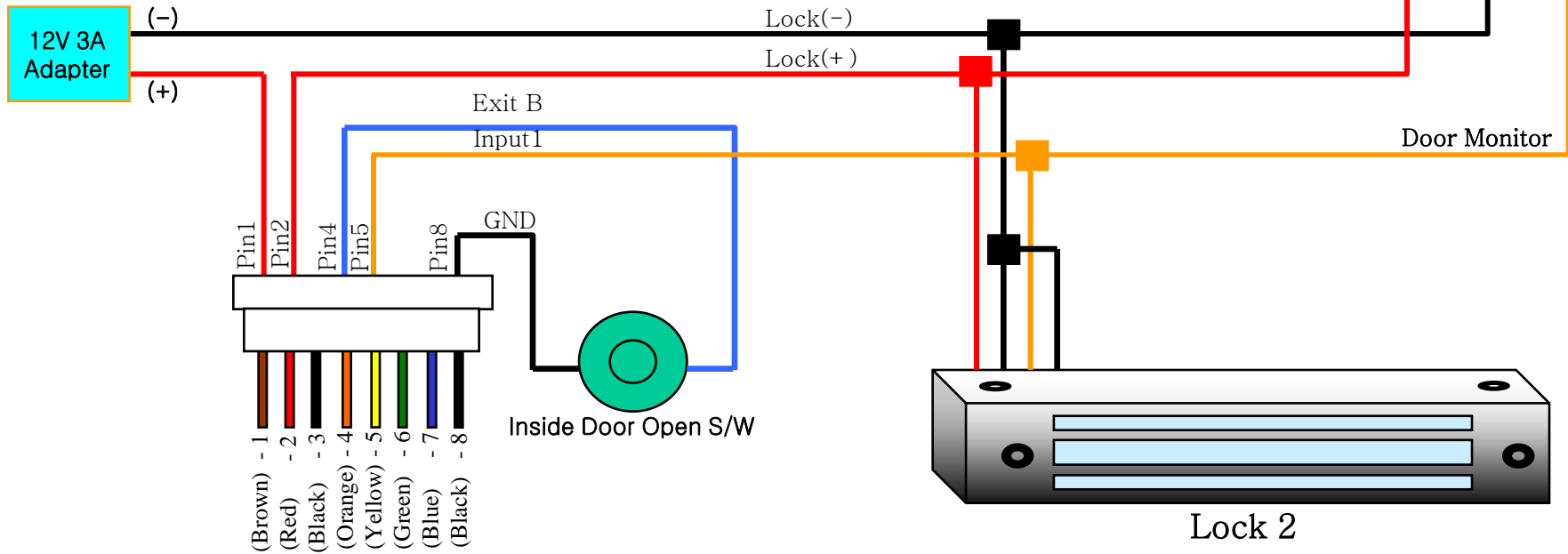
1) SW2



2) SW151~SW154



## ◆ Wiring diagram



# 8. Connecting Auto Door ( Contact Control )

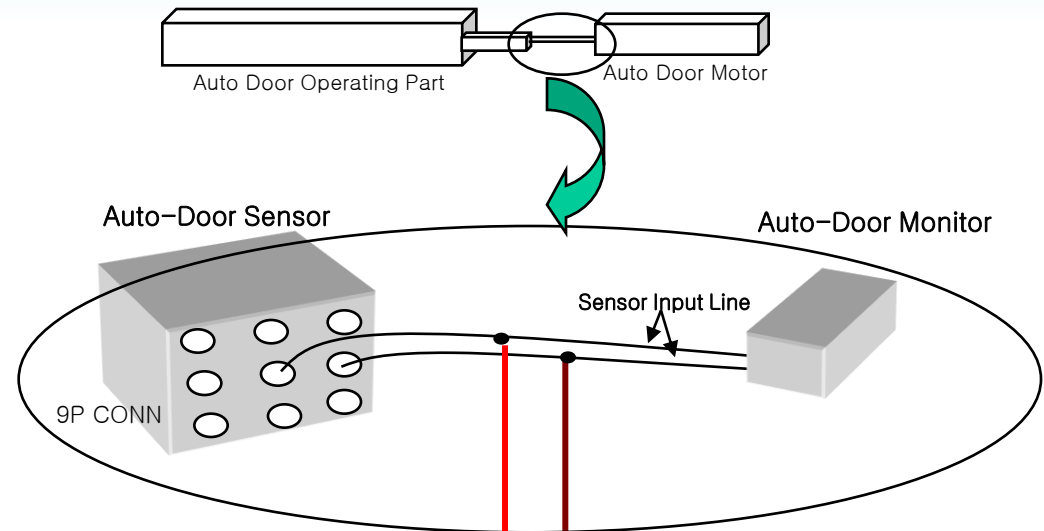
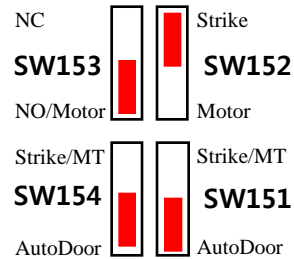
## 8. 1. Connect with two system & one door

### ◆ Lock Type Select Switch

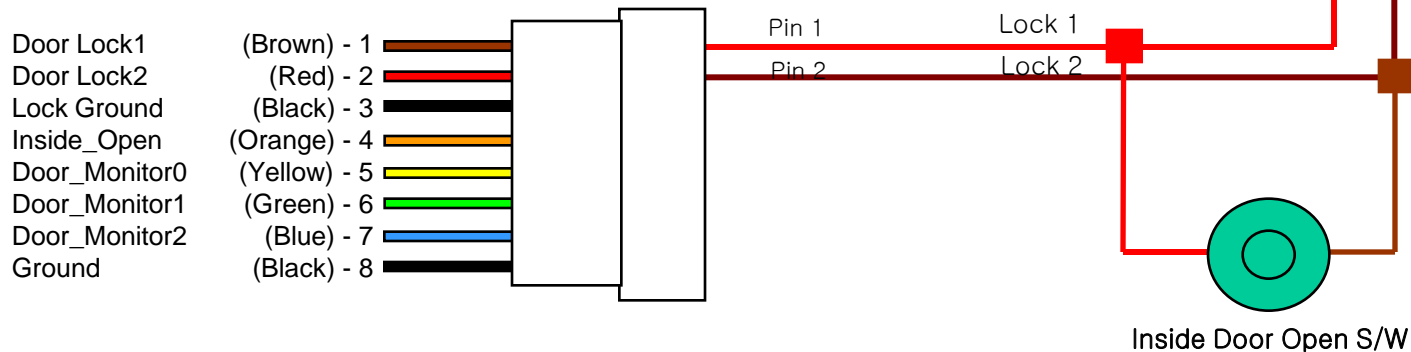
1) SW2



2) SW151~SW154



### ◆ Wiring diagram

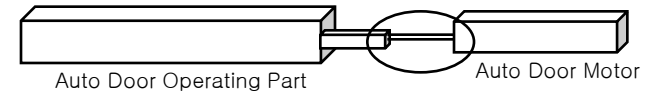
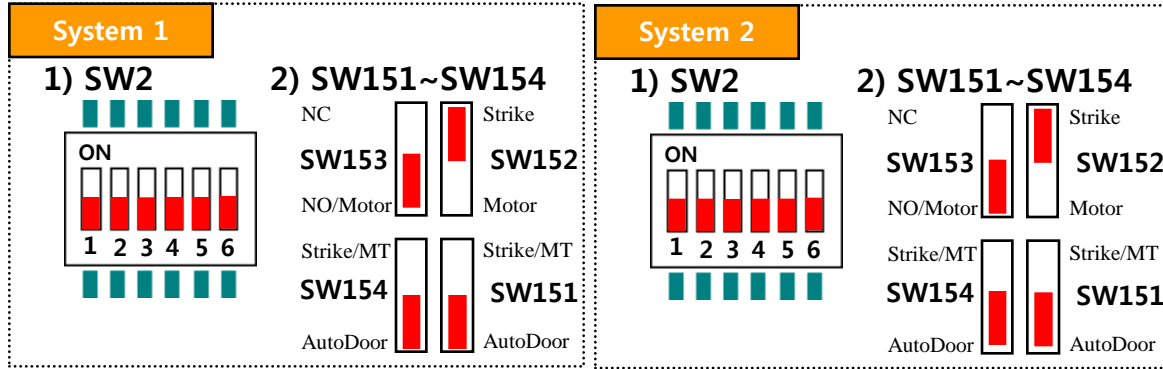




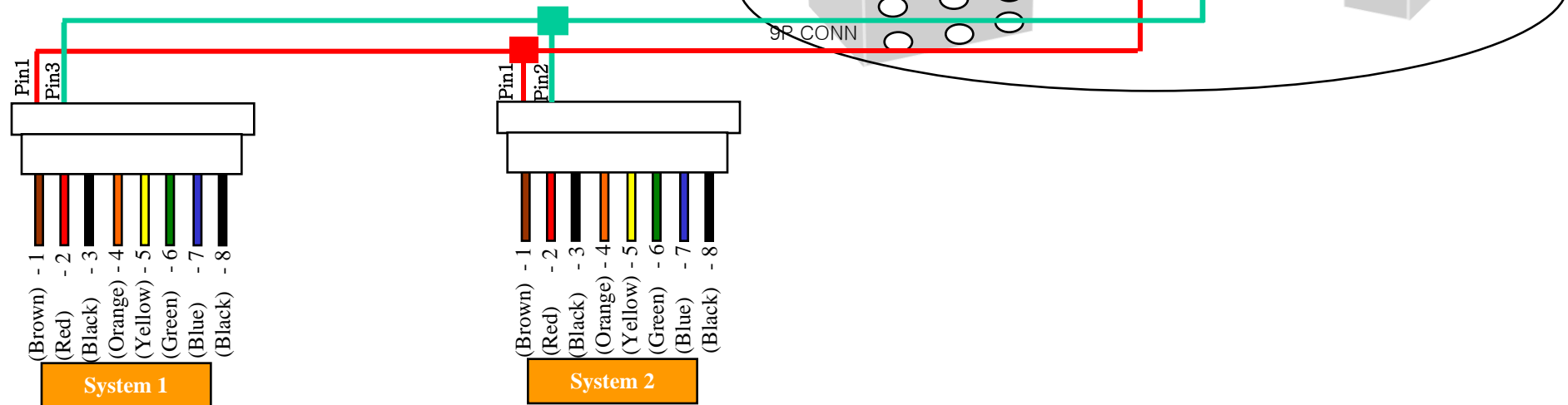
# 8. Connecting Auto Door ( Contact Control )

## 8. 2. Connect with two system & one door

### ◆ Lock Type Select Switch



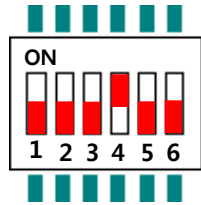
### ◆ Wiring diagram



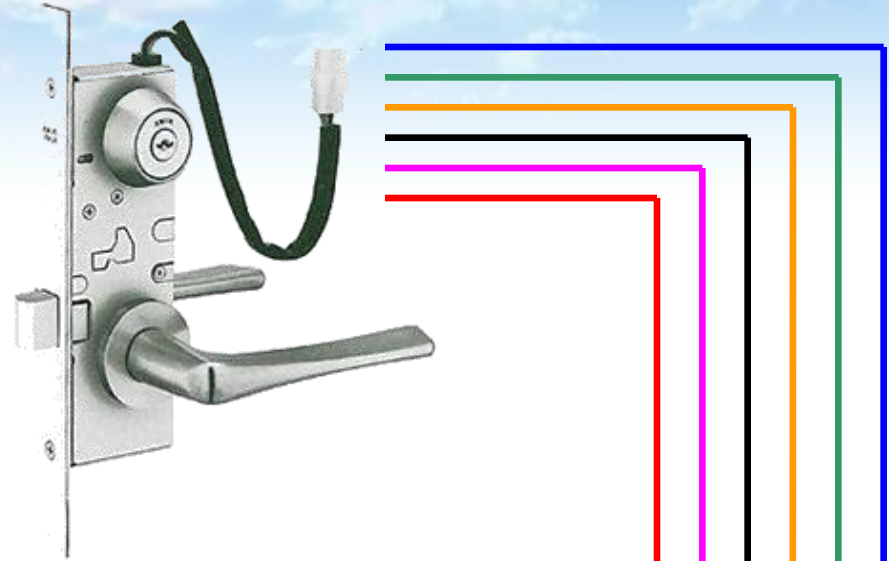
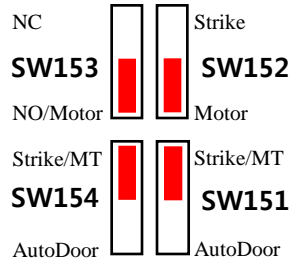
# 9. Connecting Motor Lock

## ◆ Lock Type Select Switch

1) SW2



2) SW151~SW154



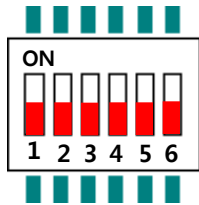
## ◆ Wiring diagram



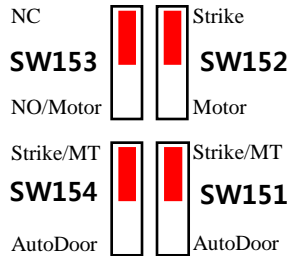
# 10. Connecting 2 Emergency Lamps

## ◆ Lock Type Select Switch

1) SW2



2) SW151~SW154



Emergency Lamp 1

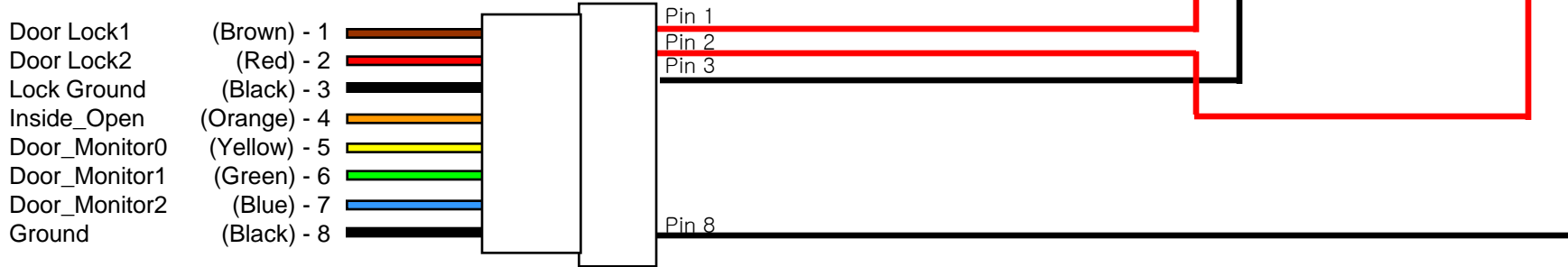


Emergency Lamp 2



12 V (+)    Ground (-)    12 V (+)    Ground (-)

## ◆ Wiring diagram



## 11. Ferrite Core Attachment on Adapter Cable

Attach the Ferrite Ring Core 30x13x39 on the Adapter cable 2 times as below picture.

